

[www.geeken.in](http://www.geeken.in)



**Geeken®**

**Furniture**

**Better Furniture, Better Life!**

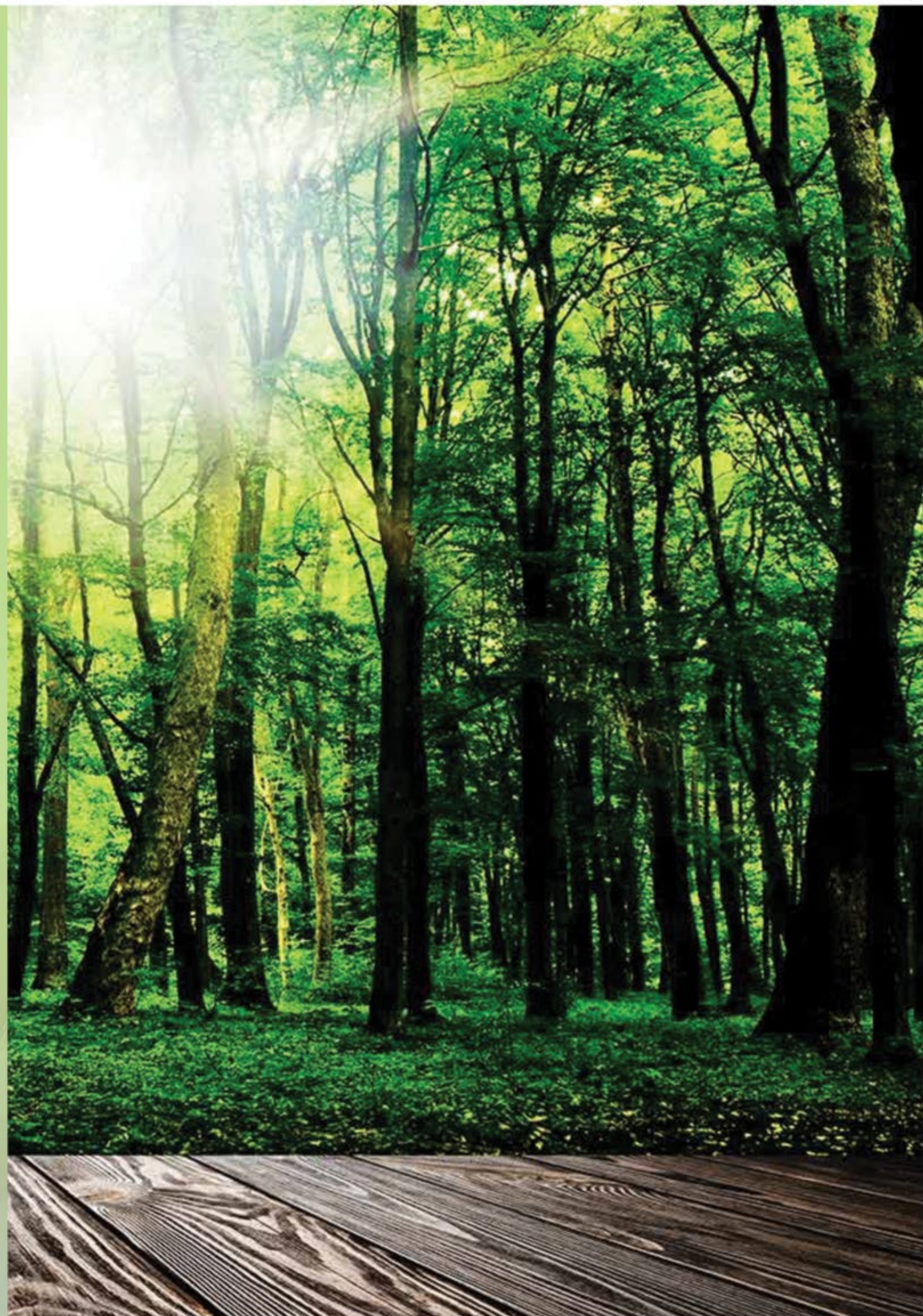
Making Lives  
**Comfortable**





# Working Towards A More Sustainable And Greener Future







K.N Pandey  
Managing Director

## Managing Director's Message

As proud and as unstoppable as the sun itself, Geeken continues to rise day after day and helps make the world a better place with its solutions for offices, homes, schools, the hospitality industry, hospital & more. It is our 33+ years of experience, dedication to putting comfort and functionality before anything else, Our innovations in design and durability and the value that we bring to every space we find ourselves in that are truly unmatched. We endeavor to provide sustainable solutions achieved through conscious and prudent use of resources.

In valuing our human resources, we set the foundation for valuing our patrons. Starting from the ground up, quality control and excellence permeate every level from designing and testing to manufacture and customer relations.

Our world-class manufacturing facility, coupled with an extensive infrastructure, allows us to manufacture the finest and much-loved products. we measure our success in our customers' delight and it has made us the leader in modular seating solutions and allied applications.

We want to achieve customers' delight by delivering world-class furniture solutions using the best manufacturing and business practices.



Geeta Pandey  
Director

## Director's Message

I take this opportunity to thank all our esteemed customers, business associates & channel partners for keeping faith in our product & service that has strengthened brand "GEEKEN" & its market share too. our highly satisfied customers & our enthusiastic channel partners are an integral part of brand GEEKEN. We strongly believe that merely customer satisfaction is not sufficient but our customers shall be delighted by our products & services.

At GEEKEN, our endeavour is to provide highly ergonomically designed product with exceptional features designed to ensure highest level of comfort. We are committed to continuously improve our product & services in order to address the dynamic needs of our customers. Moving further with our responsibility of producing a healthier product we have started developing green products also that have low VOC contents.

I look forward to your continued support in future for our mutual success & growth.

## CEO Message

Dear Customers,

Trust, quality and performance : that is what Geeken has offered its clientele for over 33 years. Geeken believes in integrity, and doing the job right every time and we don't deviate from our values. This consistency is what keeps customers loyal and allows us to attract new customers. As a company we believe in the highest levels of performance and constant learning to ensure we stay focused in this changing world. Geeken has a strong team work based culture with experts in each area that can ensure that our product serve you for a long time.

**"I wish you tremendous success in using Geeken products"**



Rajeev Kapoor  
CEO

## Core Values

S

### Safety

We operate safely and ensure this aspect is considered while designing new product also.

P

### People

We respect one another, recognizing that our success depends upon the commitment, capabilities and diversity of our employees.

I

### Integrity

We are ethical and trustworthy in our relationships with our customers.

R

### Responsibility

We are accountable for our actions. We are a good neighbor and citizen in the communities where we operate.

I

### Innovation

We anticipate change and respond with creative solutions. We are agile and responsive to the changing needs of stakeholders and embrace learning opportunities from our experience around the world.

T

### Teamwork

Our 'can do' spirit delivers top performance. We encourage collaboration, celebrate success and build and nurture long-standing relationships.

## Overview

Geeken has become a name that people trust over our 33+ years of delivering excellence, innovation, and ergonomic ideation. We also embrace the world in all its myriad colors. Having made a humble foray into the field of furniture with chairs, Geeken Furniture now has a spectrum of modular office & home furniture, seating solutions for stadiums, auditoriums, schools, and other institutions, hospital & lab furniture, and much more. The rainbow is also a creation of the sun and its interplay with raindrops. Just as we all love a rainbow, Geeken Furniture employs the same concept of colors for the infinite combinations of finishes and numerous origins of natural and technological materials. A subtle boundary shows how multi-textured language can represent the new cosmetic effect of the cultured, cosmopolitan design. A true style laboratory is established that applies imagination and evolves. In this way, each product celebrates the end of a process and the beginning of a new one. The VIBGYOR in the logo represents the versatility that Geeken Furniture provides, with each color symbolizing our ideals in order to best achieve the following for all of our clients: Comfort & Functionality First; Design & Durability Second; Value & Ergonomics Always!

With the sun as our guiding light, the chair as our promise of comfort, power, and support, and a spectrum of products to bring you joy, Geeken creates as a master and serves as a leader.

### **33+ young industry expertise & infrastructure excellence crafted through unstinted dedication to quality, innovation, and a constant objective to serve the global furniture market.**

At IMT Manesar, Gurugram, a fully equipped state-of-the-art manufacturing complex spread over 6,00,000 sq. ft. of area, completely loaded with advanced machinery and skilled staff, has been set up. We have selected the best and most sustainable raw materials, a highly skilled production crew, and designers who focus not only on aesthetics and ergonomics but also on providing effective customization and space optimization. We also have an in-house testing laboratory that is fully prepared to test and check all quality parameters before manufacturing each and every product. Our production unit is also ISO 9001:2015, ISO 14001:2015, and ISO 45001:2018 accredited, ensuring compliance with international quality management system standards, environmental management system standards, and occupational health and safety management system standards. Aside from that, we are a BIFMA international member. We have also been accredited by the Indian Green Building Council for monitoring and complying with all of the IGBC's standards, energy saving being a major aspect. We endeavor to provide excellence to our clients in every product we create, with a heavy emphasis on International Quality Standards.

What adds to it is the consciousness the brand has towards the conservation of the environment and all-natural resources. We are firm believers in sustainable development and use our resources with utmost care to ensure that future generations are not devoid of the many blessings we have received.

# Certifications & Accreditations



# BIFMA



BIFMA

All India Occupational Therapists' Association



Indian Green Building Council



GREENPRO



GREENGUARD



ISO 9001:2015



ISO 14001:2015



ISO 45001:2018



ISO 50001:2018



ISO 13485:2016



**WIDEST  
ARRAY OF  
PRODUCTS**

**EXTRAORDINARY  
COMFORT**

**PAN INDIA  
NETWORK**



# Major Clients





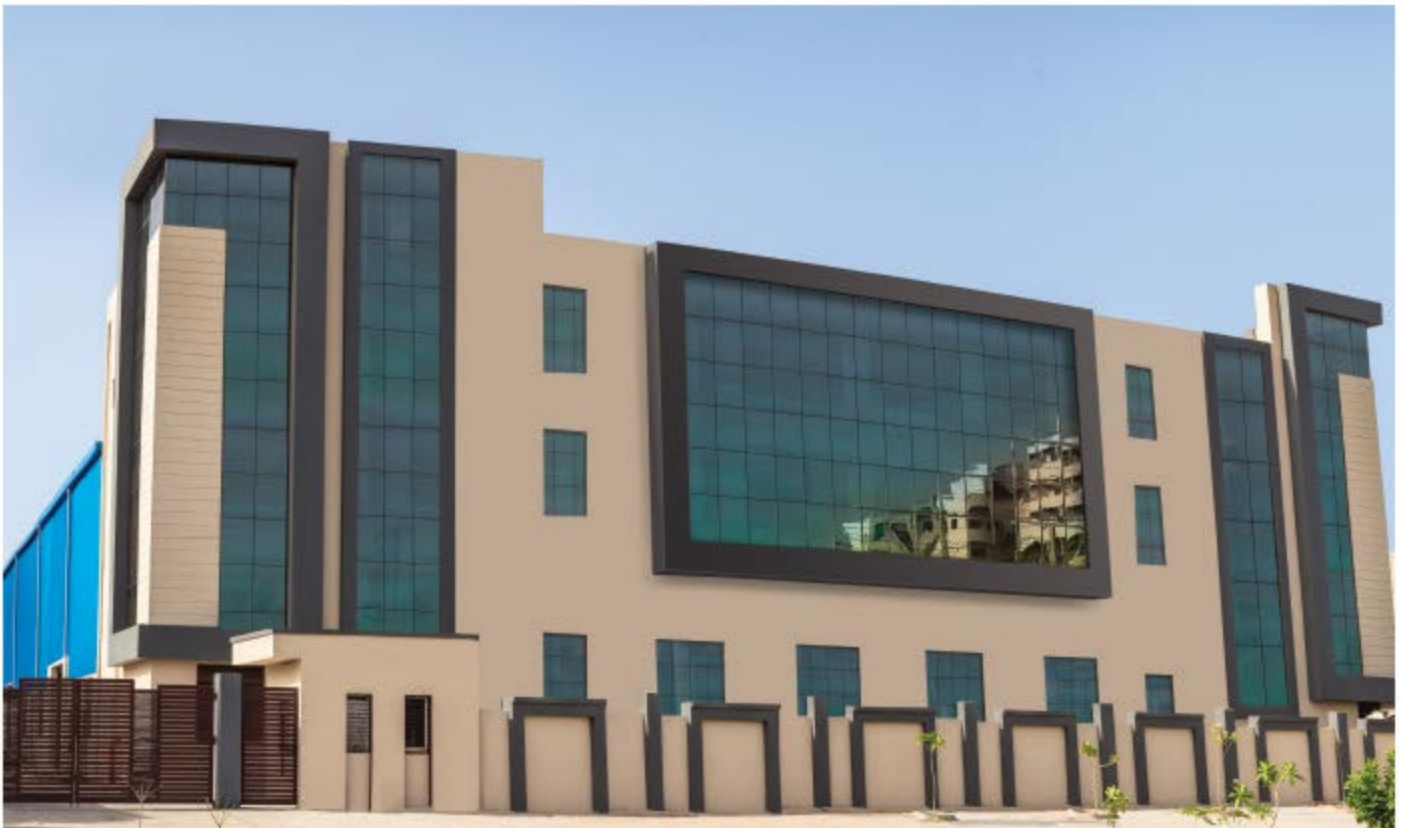
Our Factory at Plot no.93A, Sector-6, IMT Manesar, Gurugram, Haryana



Our Factory at Plot no.161, Sector-5, IMT Manesar, Gurugram, Haryana

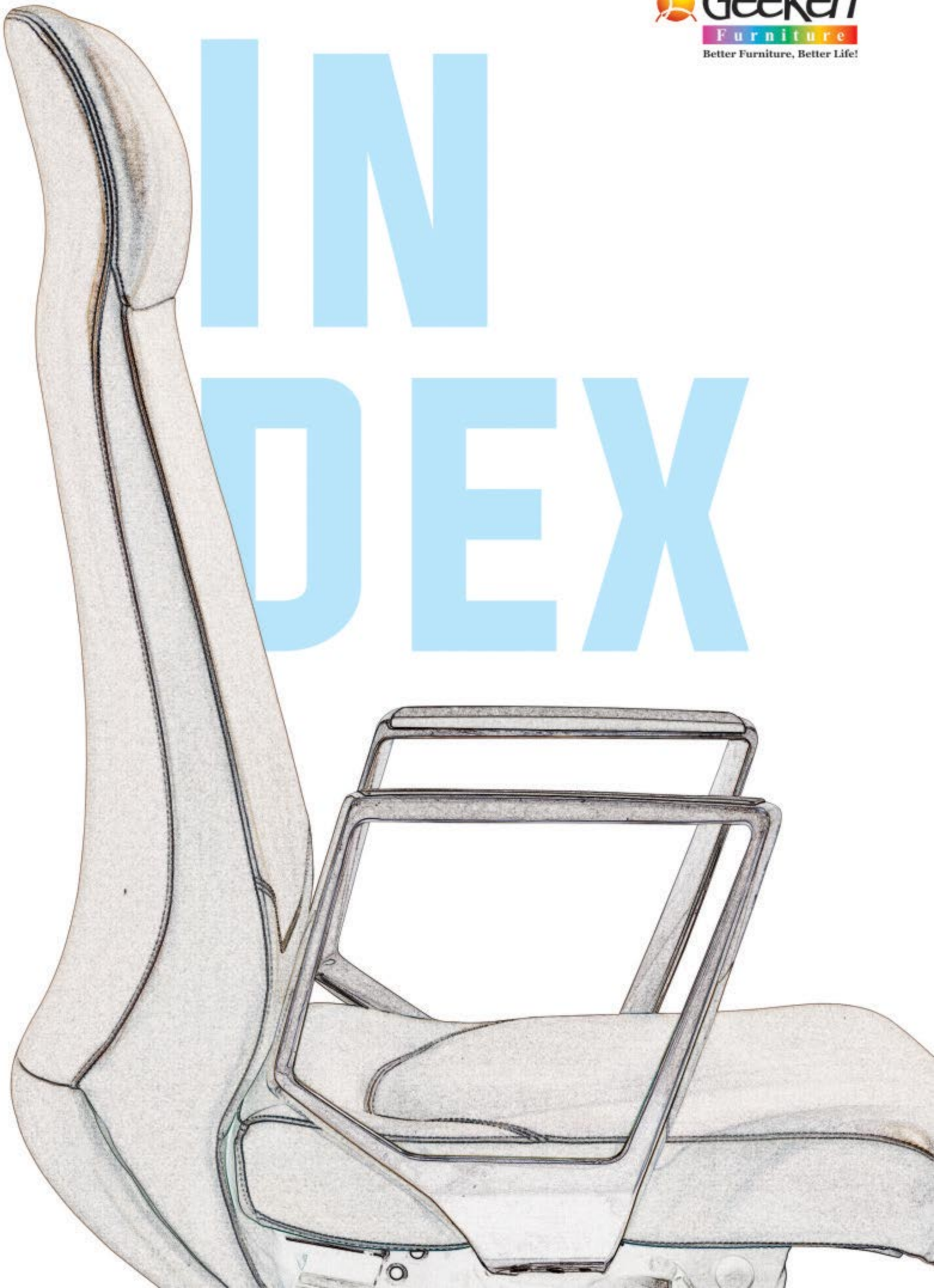


Our Factory at Plot no.7, Sector-6, IMT Manesar, Gurugram, Haryana



Our Factory at Plot no. 1B, Sector-6, IMT Manesar, Gurugram, Haryana

# INDEX



# Index

**Office Chair Collection**  
1-74

Office Chair/President	1-56
Matrix	57-59
Sleek	60-62
Bliss	63-65
Astra	66-71
Visitor	72-73
Workstation	74

Chairs



**Modular Furniture Collection**  
75-156

Desking	75-112
Workstation	113-137
Conference	138-146
Reception	147-148
Computer Desk	149-150
Pedestal	151
Storage	152-156

Modular Furniture



**Sofa Sets Collection**  
157-203

Sofa Sets	157-184
Center Table	185-189
Adaptive	190-192
Café	193-203

Sofa sets



**Institutional Collection**  
204-221

Student & Task	204-214
Auditorium	215-219
Hostel	220-221

Institutional



**Steel Storage Collection**  
222-247

Steel Storage	222-236
Lab Furniture	237-240
Compactor	241-247


Steel storage



**Hospital Furniture Collection**  
248-255

Hospital Furniture	248-255
--------------------	---------

Hospital Furniture



Office  
Chairs







Byron collection seating is of generous proportions, characterized by outstanding finish. Suitable for luxury and high end office environments.

**Byron- 1**  
Colour Code:  
Duke Tan



Ergonomic Design



Ultimate Comfort





Sun- 1  
Colour Code:  
GKN Dark Grey



Ergonomic Design



Ultimate Comfort

This range stands with its distinctive design and genuine upholstery. The exquisite upholstery is carefully produced with great attention to detail and ensures the ultimate in comfort when sitting.



When you want to forget the worries of the world, just relax, enjoy and pamper yourself with this luxurious chair with unparalleled comfort and elegance.



**Altona- 1**  
Colour Code:  
GL-2 Black



Ergonomic Design



Ultimate Comfort



Nector Collection

 **GeekEn**  
Furniture  
Better Furniture, Better Life!



Nector Collection

 **Geeken**  
Furniture  
Better Furniture, Better Life!





**Nector- 1**  
Colour Code:  
GKN-03 (Black)



**Nector- 2**  
Colour Code:  
GKN-03 (Black)



**Nector- 3**  
Colour Code:  
GKN-03 (Black)



Ergonomic Design



Ultimate Comfort





**Kessel- 1**  
Colour Code:  
GKN-03 (Black)



**Kessel- 2**  
Colour Code:  
GKN-14 Red



**Kessel- 3**  
Colour Code:  
GKN-03 (Black)



**Kessel- 6**  
Colour Code:  
Aloha Grey



**Kessel- 7**  
Colour Code:  
Aloha Grey



Azure- 1  
Colour Code:  
Aloha Grey



Azure- 2  
Colour Code:  
Aloha Grey



Ergonomic Design



Ultimate Comfort

it is aesthetically pleasing chair designed with simplicity and flexibility in mind. Easy to use, easy to like and flexible enough to suit all. The back of this chair automatically adjusts to the user, which is perfect for the modern activity based office.





This is the latest range of our chairs, built with the most advanced technology, available in the simplest form possible. It helps improve both your posture and overall well being.





**Rome- 1**  
Colour Code:  
Front-Duke Tan &  
Back Rear-Optic Brown



**Rome- 2**  
Colour Code:  
Front-Duke Tan &  
Back Rear-Optic Brown



**Rome- 3**  
Colour Code:  
Front-Duke Tan &  
Back Rear-Optic Brown



Ergonomic Design



Ultimate Comfort







**Civic- 1**  
Colour Code:  
Duke Tan



**Civic- 2**  
Colour Code:  
Duke Tan

The Civic collection, possessing presence and panache, the highly versatile chair will compliment a range of environments and draws the eyes to its elegant form. The gently sculpted contours and generous proportions, promise outstanding sitting comfort.

A set of extremely versatile practical operator seatings, available in various enchanting colors.



Ergonomic Design



Ultimate Comfort



**Civic- 3**  
Colour Code:  
Duke Tan

This collection embodies the design, architectural aesthetics, considered proportions, clearly defined forms, beautifully refined details.



Ergonomic Design



Ultimate Comfort



**Capital- 1**  
Colour Code:  
GL-2 Black



**Capital- 2**  
Colour Code:  
GL-05/Classic-21(Camel)



**Capital- 3**  
Colour Code:  
GL-05/Classic-21(Camel)



A soft, comfortable armchair with a strong personality.  
A rare harmony of comfort, luxury and rigorous, give this design a unique and recognisable identity.



Ergonomic Design



Ultimate Comfort

**Dixon- 1**  
Colour Code:  
Front-Aloha Beige  
& Back Rear-Aloha Grey



**Dixon- 2**  
Colour Code:  
Front-Aloha Beige &  
Back Rear-Aloha Grey



**Dixon- 3**  
Colour Code:  
Front-Aloha Beige &  
Back Rear-Aloha Grey





Sage- 1  
Colour Code:  
Dunking-08



Sage- 2  
Colour Code:  
Dunking-08



Ergonomic Design



Ultimate Comfort

Clad in the finest leatherite this series of chair strikes a perfect balance in comfort and beauty, providing a design aesthetics as pure and luxurious as possible.





# Art As An Asset Class



GP 101  
Colour Code:GKN-08 (Khakhi)



GP 102  
Colour Code:GKN-08 (Khakhi)



GP- 103  
Colour Code:  
GKN-08 (Khakhi)



GP- 104  
Colour Code:  
GKN-08 (Khakhi)



GP- 105  
Colour Code:  
GKN-02 (Brown 2 Tone)



GP- 106  
Colour Code:  
GKN-02 (Brown 2 Tone)



**Bistro- 1**  
Colour Code:  
Dunking-04



**Bistro- 2**  
Colour Code:  
Dunking-04



Ergonomic Design



Ultimate Comfort

Designed for ambitious and forward looking doers. To set the trend and lead the changes.





Companion- 1  
Colour Code:  
Dunking- 014

Crafted with care, this wooden chair shall surely be your perfect companion for lifetime





The unique comfort and aesthetics of Eleganza are enhanced by a traditional element : the simplicity. it reflects the decisive personality of the Eleganza collection with new intensity. Hints of classic design blend with functional, modern solution to form a chair that is not only comfortable, but also particularly versatile and suitable for any luxury office environment.



**Eleganza- 1**

Colour Code:  
GKN-23 (Brown 2 Tone)



**Eleganza- 2**

Colour Code:  
GKN-23 (Brown 2 Tone)



**Eleganza- 3**

Colour Code:  
GKN-23 (Brown 2 Tone)



Eleganza- 4  
Colour Code:  
GKN-15 (Bottle Green)



Ergonomic Design



Ultimate Comfort



Eleganza- 5  
Colour Code:  
GKN-15 (Bottle Green)



Eleganza- 6  
Colour Code:  
GKN-15 (Bottle Green)

**Design | Versatility | Unmatched Comfort**

## Royal Collection



Comfortable Headrest



Ergonomic Handle



Ergonomic Design



Ultimate Comfort

Royal- 1  
Colour Code:  
GKN-10 (Beige)



## Vision Collection



Ergonomic Design



Ultimate Comfort



Ergonomic Handle

Vision- 1  
Colour Code:  
GKN-10 (Beige)





# Regent Collection



Rich in styling and superior in comfort

Regent is the perfect balance of design & engineering . High quality materials, interactive functionality and unparalleled styling create aesthetic that project perfect equilibrium. Your chair is in constant contact with your body, and by meticulous design that Regent create a steadiness and proper orientation of the body . Cradling your body with luxurious fitting, this chair helps you maintain a healthy ergonomics posture and keeps you comfortable all day.



**Regent- 1**  
Colour Code:  
GL-4/Classic-19 (Beige)



**Regent- 2**  
Colour Code:  
GL-4/Classic-19 (Beige)



**Regent- 3**  
Colour Code:  
GL-4/Classic-19 (Beige)



Lever to adjust sitting position



Extra strong base provides stability



Ergonomic Design



Ultimate Comfort



Treat your body to ultimate comfort experience from head to toe

Pamper your back and give it the well deserved comfort. The simple truth is your back is enjoying itself, your mind works better. With a matching ottoman that can also give your feet well deserved comfort.



Recliner- 1

Colour Code:  
GL-02 (Black)

Sit or lie down, you are in most relaxing comfort zone



**Recliner- 4**  
Colour Code:  
GKN-12 (Camel)



Providing optimal support for your neck and lower back and giving you a unique comfort experience.



Experience the pleasure of sitting

A functional design with extra soft cushions, elegant design adjustable seating.



Auto Balance Mechanism

**Recliner- 5**  
Colour Code:  
GKN-12 (Camel)

Fresh, comfortable and ergonomic, creating an environment to relax from head to toe



Recliner- 6  
Colour Code:  
GL2 (Black)



**Recliner- 7**  
Colour Code:  
# 604 Cognac (Pure Leather)

The extremely stylish and tempting looking Recliner-7 was developed specially for informal situations where a relaxed but professional atmosphere is required. The fluid transition in the frame, generous seat and cushioned back make a purposeful impression that is underlined by the chair's ergonomic comfort.





Orion- 1  
Colour Code:  
GKN-25 (Cherry)



Ergonomic Handle



Orion- 2  
Colour Code:  
GKN-25 (Cherry)





**Contour- 1**  
Colour Code:  
GL-02 (Black)



Ergonomic Design



Ultimate Comfort



**Contour- 2**  
Colour Code:  
GL-02 (Black)





Nucas 4  
Colour Code:  
Paramount-907

The NUCAS COLLECTION come with their larger seat widths, elegantly curved armrests and superb upholstery fulfil the most stringent of requirements for a prestigious look and quality fittings.



Nucas- 5  
Colour Code:  
Paramount-907



Nucas- 6  
Colour Code:  
Paramount-907





The IBEX chairs are the showstopper of all office environments. The comfort, materials and superlative craftsmanship live up to what its state-of-the-art design promises.

**Ibex- 1**  
Colour Code:  
Optic-05



Ergonomic Design



Ultimate Comfort



**Ibex- 2**  
Colour Code:  
Optic-05



**Ibex- 3**  
Colour Code:  
Optic-05



A timeless style, blends well into almost every interior decor, The detailed quality of the chair, an ergonomically fashioned backrest and seat tuned for all day comfort, ensure proper support and longevity.



Ergonomic Design



Ultimate Comfort

Flow- 1  
Colour Code:  
GL-03 (Brown)



Flow- 2  
Colour Code:  
GL-03 (Brown)



## Delta Collection



**Delta- 1**  
Colour Code:  
GKN-13 (Brown 2 Tone)



**Delta- 2**  
Colour Code:  
GKN-13 (Brown 2 Tone)

## Brandis Collection



**Brandis- 1**  
Colour Code:  
Dunking-08



**Brandis- 2**  
Colour Code:  
Dunking-08





Diez- 1  
Colour Code:  
Dunking-01



Diez- 2  
Colour Code:  
Dunking-01



Ergonomic Design



Ultimate Comfort



Diez- 3  
Colour Code:  
Dunking-01





**Gozlar- 1**  
Colour Code:  
Dunking-01



**Gozlar- 2**  
Colour Code:  
Dunking-01



Ergonomic Design



Ultimate Comfort



**Gozlar- 3**  
Colour Code:  
Dunking-01



Comfortable Headrest



Ergonomic Handle



## Wilster Collection



**Wilster- 1**  
Colour Code:  
Dunking-06



**Wilster- 2**  
Colour Code:  
Dunking-06



**Wilster- 3**  
Colour Code:  
Dunking-06

## Adorf Collection



**Adorf- 1**  
Colour Code:  
Dunking-05



**Adorf- 2**  
Colour Code:  
Dunking-05



**Adorf- 3**  
Colour Code:  
Dunking-05



Ergonomic Design



Ultimate Comfort



**Trinity- 1**  
Colour Code:  
DS-22 Blue Fabric



**Trinity- 2**  
Colour Code:  
DS-22 Blue Fabric



**Trinity- 3**  
Colour Code:  
DS-22 Blue Fabric

## Rio Collection



Rio- 1  
Colour Code:  
GKN-28 Black

Rio transmit an image of authority and pleasant warmth, giving the office environment a distinctive style. Stylistic details such as attention to finishes and variety of colours give the product a strong personality and modern style



Rio- 2  
Colour Code:  
GKN-28 Black



Rio- 3  
Colour Code:  
GKN-28 Black

 **Geeken**  
Furniture  
Better Furniture, Better Life!

Sleek, stylish  
comfortable,  
all rolled into  
one





**Jupiter- 1**  
Colour Code:  
GKN-28 Black

In any context where it is placed, jupiter has such a neat line that it adapts harmoniously to the space, while still adding a touch of very personal style



**Jupiter- 2**  
Colour Code:  
GKN-28 Black



**Jupiter- 3**  
Colour Code:  
GKN-28 Black

## Montena Collection

Designed to offer contemporary style and all round functionality :  
Montena series uses high quality components to provide optimal  
comfort to the user



Montena- 1

Colour Code:  
GKN-28 Black



Montena- 2

Colour Code:  
GKN-28 Black



Montena- 3

Colour Code:  
GKN-28 Black

## Plasma Collection



Plasma- 1

Colour Code:  
GKN-28 Black



Plasma- 2

Colour Code:  
GKN-28 Black



Plasma- 3

Colour Code:  
GKN-28 Black

Linearity appears even more accentuated to create absolute space for comfort



Ergonomic Design



Ultimate Comfort

**Vortex- 1**

Colour Code:  
Seat-GKN-307 & Back Black Net



Vortex brings dynamism to the office and thus provides the foundations for physical and mental well-being in the workplace: Thanks to a harmonious overall concept which offers a new interpretation of natural movements as a key prerequisite for staying healthy. For active, natural sitting

**Vortex- 2**

Colour Code:  
Seat-GKN-307 & Back Black Net





**Signature- 1**  
Colour Code:  
Seat-GKN-307 & Back Black Net



**Signature- 2**  
Colour Code:  
Seat-GKN-307 & Back Black Net



Ergonomic Design



Ultimate Comfort



**Cherish- 1**  
Colour Code:  
Seat-GKN-307 & Back Black Net



**Cherish- 2**  
Colour Code:  
Seat-GKN-307 & Back Black Net



## Edge

Collection



Edge- 1

Colour Code:  
Seat-GKN-307 & Back Black Net



Edge- 2

Colour Code:  
Seat-GKN-307 & Back Black Net

## Cross

Collection



Cross- 1

Colour Code:  
Seat-GKN-307 & Back Black Net



Cross- 2

Colour Code:  
Seat-GKN-307 & Back Black Net





The SARA chair is the perfect balance of design & engineering high quality materials, interactive functionality and great styling create an aesthetic that projects perfect equilibrium. This chair is in constant contact with your body, cradling your body with comfortable mesh, help you maintain a healthy ergonomic posture and keeps you comfortable all day.



**Sara- 2**  
Colour Code:  
Black Net Imported



**Sara- 3**  
Colour Code:  
Black Net Imported



**Hampton- 1**  
Colour Code:  
Seat-GKN 203 Black &  
Back- Black Net



**Hampton- 2**  
Colour Code:  
Seat-GKN 203 Black &  
Back- Black Net



**Hampton- 3**  
Colour Code:  
Seat-GKN 307 & Back Black Net



**Hampton- 4**  
Colour Code:  
Seat-GKN 203 &  
Back- Black Net



**Hampton- 5**  
Colour Code:  
Seat-GKN 203 Black &  
Back- Grey Net



**Hampton- 6**  
Colour Code:  
Seat-GKN 203 Black &  
Back- Grey Net

Distinctive Uniqueness







**Hampton- 7**  
Colour Code:  
Seat-GKN 203 Black &  
Back- Black Net



**Hampton- 8**  
Colour Code:  
Seat-GKN 307 Black &  
Back- Black Net



**Hampton- 9**  
Colour Code:  
Seat-GKN 307 Black &  
Back- Grey Net



**Hampton- 10**  
Colour Code:  
Seat-GKN 227 Grey &  
Back- Grey Net



## Hampton Collection



**Hampton- 11**  
Colour Code:  
Seat-GKN 227 Grey &  
Back- Grey Net



**Hampton- 12**  
Colour Code:  
Seat-GKN 203 Black &  
Back- Black Net



**Hampton- 13**  
Colour Code:  
Seat-GKN 203 Black &  
Back- Black Net

## Derby Collection



**Derby- 2**  
Colour Code:  
Seat-GKN 307 & Back Black Net

It offers a comfort above standards, thanks to constant support of the lumbar region of the body and it helps preventing muscle tensions caused by bad postures



# Majestic Collection



**Majestic- 1**  
Colour Code:  
Seat-GKN-307 &  
Back- 308 Black Net



**Majestic- 2**  
Colour Code:  
Seat-GKN-307 &  
Back- 308 Black Net



**Majestic- 2A**  
Colour Code:  
Seat-GKN-307 &  
Back- 308 Black Net





**Majestic- 3**  
Colour Code:  
Seat-GKN-307 &  
Back- 308 Black Net



**Majestic- 3A**  
Colour Code:  
Seat-GKN-307 &  
Back- 308 Black Net



**Majestic- 4**  
Colour Code:  
Seat-GKN-307 &  
Back- 308 Black Net





GP 109  
Colour Code:  
GKN-03 (Black)



GP 110  
Colour Code:  
GKN-03 (Black)



GP 110 A  
Colour Code:  
GKN-03 (Black)



GP 113  
Colour Code:  
GKN-03 (Black)



GP 114  
Colour Code:  
GKN-03 (Black)



GP 115  
Colour Code:  
GKN-03 (Black)



GP 116  
Colour Code:  
GKN-08 (Khakhi)



GP 117  
Colour Code:  
GKN-08 (Khakhi)



GP 117 A  
Colour Code:  
GKN-08 (Khakhi)

# President Collection



GP 133  
Colour Code:  
GKN-013 (Brown 2 Tone)



GP 134  
Colour Code:  
GKN-013 (Brown 2 Tone)



GP 138 A  
Colour Code:  
GKN-03 (Black)



GP 139 A  
Colour Code:  
GKN-03 (Black)



GP 140  
Colour Code:  
GKN-03 (Black)



GP 147  
Colour Code:  
GKN-027 (Black)



GP 148  
Colour Code:  
GKN-027 (Black)



GP 153  
Colour Code:  
GKN-03 (Black)



GP 154  
Colour Code:  
GKN-03 (Black)



GP 157  
Colour Code:  
Seat & Back-GKN-09 (White)  
Back Rear & Eye-GKN-03 (Black)



GP 158  
Colour Code:  
Seat & Back-GKN-09 (White)  
Back Rear & Eye-GKN-03 (Black)



GP 159  
Colour Code:  
Seat & Back-GKN-09 (White)  
Back Rear & Eye-GKN-03 (Black)



GP 160  
Colour Code:  
GKN-03 (Black)



GP 162  
Colour Code:  
GKN-03 (Black)



GP 163  
Colour Code:  
GKN-03 (Black)



GP 164  
Colour Code:  
GKN-03 (Black)



GP 171  
Colour Code:  
GKN-03 (Black)



GP 172  
Colour Code:  
GKN-03 (Black)

Matrix Collection

 **GeekEn**  
Furniture  
Better Furniture, Better Life!







GM 214  
Colour Code:  
Seat+Back Rear-GKN-307  
& Back-GKN-177



GM 215  
Colour Code:  
Seat+Back Rear-GKN-307  
& Back-GKN-177



GM 216  
Colour Code:  
Seat+Back Rear-GKN-307  
& Back-GKN-177



GM 220  
Colour Code:  
GKN-03 (Black)



GM 221  
Colour Code:  
GKN-03 (Black)



GM 222  
Colour Code:  
GKN-03 (Black)



GM 223  
Colour Code:  
GKN-03 (Black)



GM 224 A  
Colour Code:  
GKN-04 (Chocolate)



GM 225 A  
Colour Code:  
GKN-04 (Chocolate)



GM 226 A  
Colour Code:  
GKN-04 (Chocolate)



GM 230  
Colour Code:  
GKN-03 (Black)



GM 231  
Colour Code:  
GKN-03 (Black)



GM 232  
Colour Code:  
GKN-03 (Black)



GM 233  
Colour Code:  
GKN-03 (Black)



GM 242  
Colour Code:  
Classic-013



GM 243  
Colour Code:  
Classic-013



GM 244  
Colour Code:  
Seat+Back Rear-Micro Black  
& Back-Trio-44



GM 245  
Colour Code:  
Seat+Back Rear-Micro Black  
& Back-Trio-26



GM 246  
Colour Code:  
Seat+Head Rest-GKN-03(Black)  
& Back-GKN-013 (Brown 2 Tone)



GM 247  
Colour Code:  
Seat-GKN-03(Black)  
& Back-GKN-013 (Brown 2 Tone)



GM 248  
Colour Code:  
Seat-GKN-03(Black)  
& Back-GKN-013 (Brown 2 Tone)



## Art As An Asset Class



GS 339  
Colour Code:  
GKN-08 (Khakhi)



GS 340  
Colour Code:  
GKN-08 (Khakhi)



GS 341  
Colour Code:  
GKN-08 (Khakhi)

The visually stunning sleek chair collection provides new levels of comfort and support that suits the ergonomic need of each individual user. Designed for both style conscious executives and for challenging 24 hours environments that require added comfort and durability



GS 301  
Colour Code:  
GKN-03 (Black)



GS 302  
Colour Code:  
GKN-03 (Black)



GS 303  
Colour Code:  
GKN-03 (Black)



GS 304  
Colour Code:  
GKN-03 (Black)



GS 309  
Colour Code:  
Seat-GKN-307  
& Back-GKN-189



GS 310  
Colour Code:  
GKN-03 (Black)



GS 311  
Colour Code:  
GKN-03 (Black)



GS 312  
Colour Code:  
GKN-03 (Black)



GS 318  
Colour Code:  
Seat+Back Rear-GKN-203 &  
Back Front-BL-01



GS 319  
Colour Code:  
Seat+Back Rear-GKN-203 &  
Back Front-BL-01



GS 320  
Colour Code:  
Seat+Back Rear-GKN-203 &  
Back Front-BL-01



GS 321  
Colour Code:  
GKN-03 (Black)



GS 322  
Colour Code:  
GKN-03 (Black)



GS 323  
Colour Code:  
GKN-03 (Black)



GS 334  
Colour Code:  
GKN-03 (Black)



GS 335  
Colour Code:  
GKN-03 (Black)



GS 336  
Colour Code:  
GKN-03 (Black)



GS 356  
Colour Code:  
GKN-028 (Black)



GS 357  
Colour Code:  
GKN-028 (Black)



GS 358  
Colour Code:  
GKN-028 (Black)



Bliss Collection

 **GeekEn**  
Furniture  
Better Furniture, Better Life!



The Bliss office chair is considered the most dynamic, timeless and at the same time most comfortable office chair. It stimulates body and mind and is relaxing at the same time



GB 401  
Colour Code:  
GKN-182 (Jute Fabric)



GB 402  
Colour Code:  
GKN-182 (Jute Fabric)



GB 403  
Colour Code:  
GKN-182 (Jute Fabric)



GB 404  
Colour Code:  
GKN-189 (Jute Fabric)



GB 405  
Colour Code:  
GKN-189 (Jute Fabric)



GB 406  
Colour Code:  
GKN-189 (Jute Fabric)



GB 407  
Colour Code:  
GKN-186 (Jute Fabric)



GB 408  
Colour Code:  
GKN-186 (Jute Fabric)



GB 409 A  
Colour Code:  
GKN-186 (Jute Fabric)



GB 410  
Colour Code:  
GKN-176 (Jute Fabric)



GB 411  
Colour Code:  
GKN-176 (Jute Fabric)



GB 412  
Colour Code:  
GKN-201 (Crape Fabric)



GB 413  
Colour Code:  
GKN-201 (Crape Fabric)



GB 414  
Colour Code:  
GKN-201 (Crape Fabric)



GB 415  
Colour Code:  
GKN-201 (Crape Fabric)



GB 416  
Colour Code:  
GKN-201 (Crape Fabric)



GB 417  
Colour Code:  
GKN-201 (Crape Fabric)





With its clean, modern styling, Astra series is guaranteed to provide a contemporary feel to any office environment due to the multifunctional and ergonomic design of the chair. The sculptured foam seat combines with the breathable mesh to keep user cool and comfortable.





GA 562  
Colour Code:  
Seat-GKN-307 & Back Black Net



GA 563  
Colour Code:  
Seat-GKN-307 & Back Black Net



Headrest can be adjusted  
up and down 60°



Back lift button  
Back height can be adjusted 110mm



Arm can be adjusted up and down 77mm



Seat depth can adjusted 50mm



GA 5014  
Colour Code:  
GKN-203 (Black Crape) &  
Back-GKN-308 (Black Net)



GA 5015  
Colour Code:  
Seat+Back Support-GKN-03 ( Black)  
& Back-GKN-304 (Light Grey Net)



GA 5018  
Colour Code:  
Seat-GKN-307 & Back-GKN-308



GA 5019  
Colour Code:  
Seat-GKN-307 & Back-GKN-308



GA 5020  
Colour Code:  
Seat-GKN-307 & Back-GKN-308



GA 5021  
Colour Code:  
Seat-GKN-307  
& Back-Black Net



GA 5022  
Colour Code:  
Seat-GKN-307  
& Back-Black Net



GA 5023  
Colour Code:  
Seat-GKN-203  
& Back-Black Net



**GA 501C**  
Colour Code:  
Seat-GKN-307 & Back Black Net



**GA 502C**  
Colour Code:  
Seat-GKN-307 & Back Black Net



**GA 505**  
Colour Code:  
Seat-GKN-203 (Black Crape) &  
Back-GKN-301 (Red Net)



**GA 516 C**  
Colour Code:  
Seat-GKN-307 & Back Black Net



**GA 517**  
Colour Code:  
Seat-GKN-221 (Blue Crape) &  
Back-GKN-308 (Black Net)



**GA 517 A**  
Colour Code:  
Seat-GKN-203 (Black Crape) &  
Back-GKN-308 (Black Net) &  
Head Support-GKN-203 (Black Crape)



**GA 518**  
Colour Code:  
Seat-GKN-203 (Black Crape) &  
Back-GKN-304 (Light Grey Net)



**GA 520 A**  
Colour Code:  
Seat-PA-03 (Crape Fabric) &  
Back-GKN-308 (Black Net)



**GA 521**  
Colour Code:  
Seat-GKN-203 (Black Crape) &  
Back-GKN-301 (Red Net)



**GA 522**  
Colour Code:  
Seat-GKN-203 (Black Crape) &  
Back-GKN-303 (Green Net)



**GA 526 A**  
Colour Code:  
Seat-GKN-203 (Black Crape) &  
Back-GKN-308 (Black Net)



**GA 533**  
Colour Code:  
Seat-GKN-307 Black &  
Back Black Net



**GA 534**  
Colour Code:  
Seat-GKN-307 Black &  
Back Black Net



**GA 535**  
Colour Code:  
Seat - GKN-177 (Jute Fabric)  
& Back - GKN-308 Black Net



**GA 535 A**  
Colour Code:  
Seat - GKN-177 (Jute Fabric)  
& Back - GKN-308 Black Net



**GA 538 A**  
Colour Code:  
Seat - Micro Black & Back -  
Orange Net



**GA 550 A**  
Colour Code:  
Seat-GKN-203 (Black Crape) &  
Back-GKN-308 (Black Net)



**GA 551 A**  
Colour Code:  
Seat-GKN-203 (Black Crape) &  
Back-GKN-308 (Black Net)



**GA 559**  
Colour Code:  
Seat-GKN-203 (Black Crape) &  
Back-GKN-308 (Black Net)



**GA 568**  
Colour Code:  
Seat-GKN-307 Black &  
Back-Black Net



**GA 569**  
Colour Code:  
Seat-GKN-307 Black &  
Back-Black Net



GA 570  
Colour Code:  
Seat-GKN-307 Black &  
Back Black Net



GA 571  
Colour Code:  
Seat-GKN-307 Black &  
Back Black Net



GA 580  
Colour Code:  
Seat, Headrest-GKN-03 Black  
Back Support-GKN-03 Black &  
Back-GKN-308 Black Net



GA 581  
Colour Code:  
Seat -GKN-03 Black  
Back Support-GKN-03 Black  
Back-GKN-308 Black Net



GA 582  
Colour Code:  
Seat-GKN-307 &  
Back-GKN 308 Black Net



GA 583  
Colour Code:  
SEAT-GKN-307 &  
Back-GKN-308 Black Net



GA 585  
Colour Code:  
Seat-GKN-307 &  
Back-GKN-303



GA 586  
Colour Code:  
Seat-GKN-307 &  
Back-GKN-303



GA 587  
Colour Code:  
Seat-GKN-307 &  
Back-GKN-303



GA 588  
Colour Code:  
Seat-GKN-307 &  
Back-GKN-303



GA 591  
Colour Code:  
Seat Micro Black &  
Back-GKN-308 Black Net

# Art As An Asset Class



Civic- 3  
Color Code : Dark Tan

# Visitor Collection



**GV 601**  
Colour Code:  
Seat-GKN-240 &  
Back-GKN-222



**GV 603**  
Colour Code:  
Seat-GKN-240 &  
Back-GKN-222



**GV 604**  
Colour Code:  
GKN-08 (Khakhi)



**GV 606**  
Colour Code:  
GKN-175 Jute Fabric



**GV 607 A**  
Colour Code:  
GKN-03 Black



**GV 614**  
Colour Code:  
GKN-175 Jute Fabric



**GV 615**  
Colour Code:  
GKN-187 Jute Fabric



**GV 616**  
Colour Code:  
GKN-187 Jute Fabric



**GV 618**  
Colour Code:  
Seat+Back Rear-GKN-307  
& Back-GKN-183 Jute Fabric



**GV 620**  
Colour Code:  
GKN-27 Black



**GV 621**  
Colour Code:  
GKN-03 Black



**GV 625**  
Colour Code:  
Seat+Back Rear-Micro Black &  
Back-Trio-44 Fabric



**GV 626**  
Colour Code:  
Seat+Back Rear-Micro Black &  
Back-Trio-26 Fabric



**GV 630**  
Colour Code:  
GKN-3-Black



**GV 631**  
Colour Code:  
Seat-GKN 17 &  
Back- Grey PP



**GV 632**  
Colour Code:  
Seat-GKN-203 &  
Back-Black PP



**GV 633**  
Colour Code:  
Malfino-44



# Workstation Collection



GW 702  
Colour Code:  
GKN-188 Jute Fabric



GW 703  
Colour Code:  
GKN-188 Jute Fabric



GW 704 A  
Colour Code:  
GKN-182 Jute Fabric



GW 705 A  
Colour Code:  
GKN-182 Jute Fabric



GW 707 A  
Colour Code:  
GKN-175 Jute Fabric



GW 716  
Colour Code:  
GKN-175 Jute Fabric



GW 717  
Colour Code:  
GKN-175 Jute Fabric



GW 732  
Colour Code:  
GKN-185 Jute Fabric



GW 735  
Colour Code:  
GKN-09 Off White



GW 737  
Colour Code:  
Seat-GKN-211 &  
Back-GKN-207



Modular  
Furniture

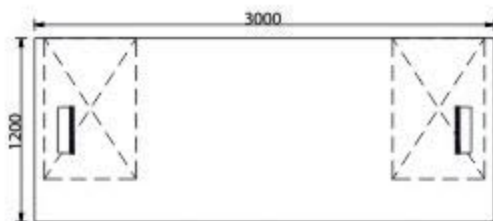
Transforming spaces into  
the workspaces





Manhattan- 1

Colour Code:  
Paldao & American White Ash Veneer



W 3000 X D 1200 X H 750  
W 2400 X D 1200 X H 750



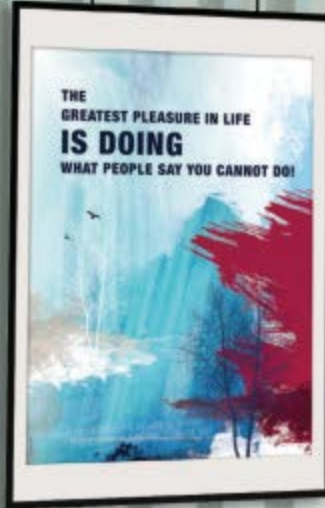
Manhattan- 2

Colour Code:  
Paldao & American White Ash Veneer

L 3000 X D 450 X H 900  
L 2400 X D 450 X H 900

Treviso Collection

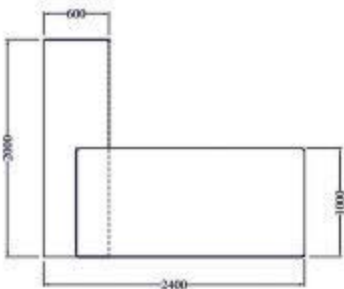
 **GeekKen**  
Furniture  
Better Furniture, Better Life!





Treviso- 1

This series has been worked out with consideration of requirement in the modern world for ergonomics and functionality of the office furniture



Treviso- 1

Colour Code  
Madona Burl Veneer & PU Polish  
W2400 X D2000 X H750  
W2100 X D1900 X H750





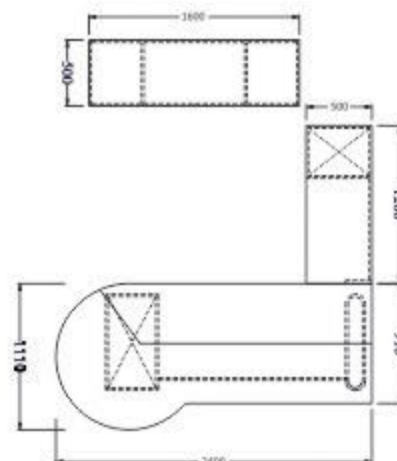
**Cascade- 1**

Colour Code

Madona Burl Veneer & PU Polish

W2400 X D2310 X H750

Cascade series tables are designed for performance and comfort with high quality components to deliver a simple, architectural design that is equally adaptive and integrates with any environment



# Proxima Collection

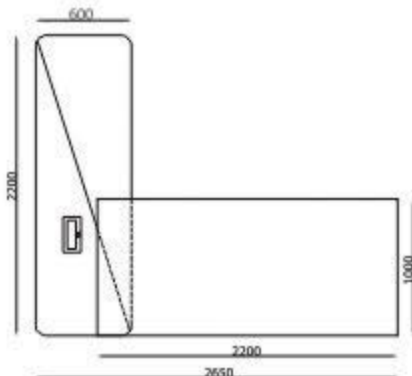


Proxima collection is of latest generation characterized by design, care of details and with finest quality materials.

## Proxima 1

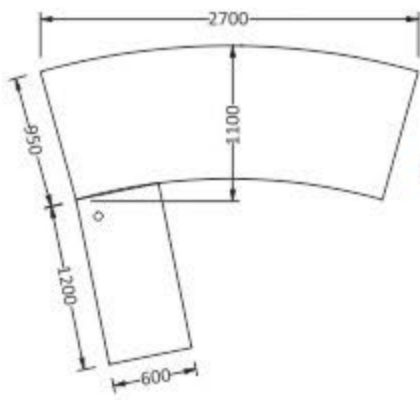
Colour Code:  
Teak Veneer & PU Polish

W 2650 X D 2200 X H 750





Tiara 1  
Colour Code:  
Madona Burl & American White Oak Veneer  
L 2700 X D2300 X H750



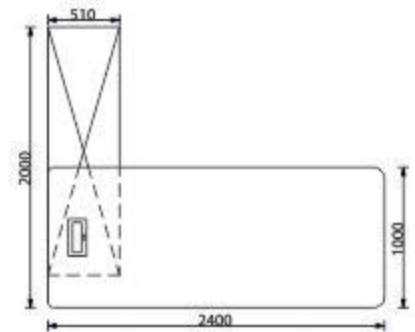


Accent Collection

**GeekEn**  
Furniture  
Better Furniture, Better Life!



Accent is a spectacular and stylish collection. The latest technologies are used to manufacture this piece of art. the design of this collection corresponds to all new trends in modern office interiors.

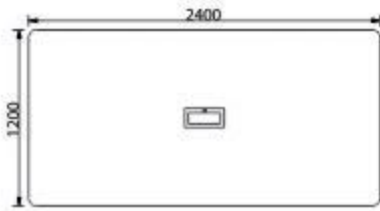


**Accent 1**  
Colour Code:  
Zebrano Veneer & PU Polish

W 2400 X D 2000 X H 750

Accent Collection

 **Geekken**  
Furniture  
Better Furniture, Better Life!



W 2400 X D 1200 X H 750

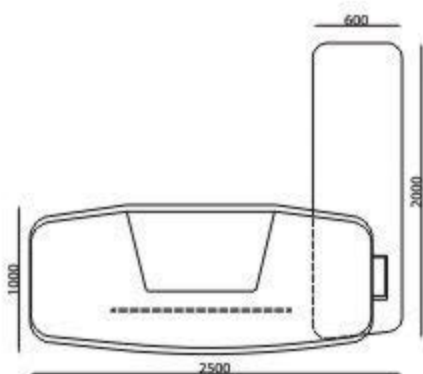


**Accent 2**

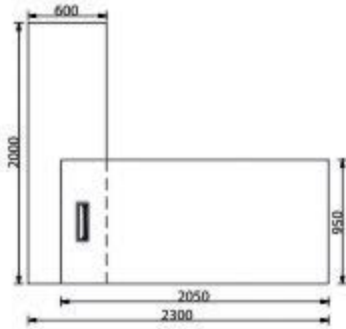
Colour Code:  
Zebrano Veneer & PU Polish



Let people be envy on you, Burg Table is exclusively designed for a discerning few who truly appreciate the craftsmanship and fascinating design.



**Burg 1**  
Colour Code:  
Wenge Membrane & PU Polish  
W 2500 X D 2000 X H 750

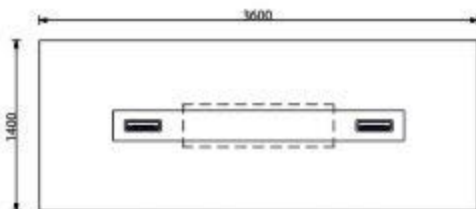


W 2300 X D 2000 X H 750



**Interact 1**  
Colour Code:  
Laminate: 10894 & 22091

Today's world is one of fast pace change. So clear points of reference that convey management culture and values are all the more vital. Conference table design is significant both from a functional and a symbolic stand point.



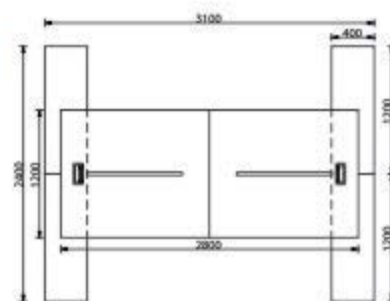
W 3600 X D 1400 X H 750

**Interact 2**

Colour Code:  
Laminate: 10894 & 22091



This collection allows the user to build modern stations by ensuring that the working spaces is properly organised and all necessary items are at arm's length. The distinctive feature of this collection is a possibility to organise paired working places for the users in one row.



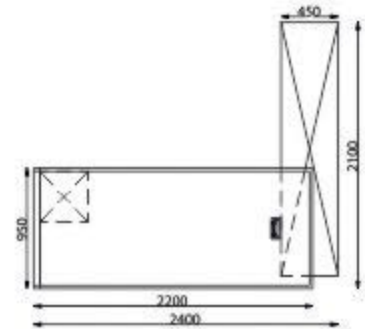
**Interact 3**

Colour Code:

Laminate: 10894 & 22091



**Evoked-1**  
Colour Code:  
Laminate : 14545 & 22099



W 2400 X D 2100 X H 750

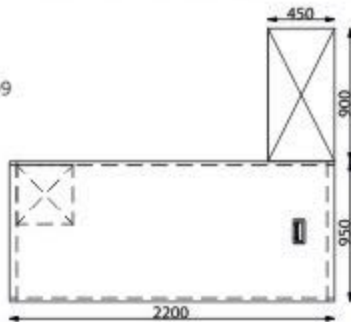
The stylish design and well thought out harmony of shapes in this collection create an atmosphere of respectability. The unusual curves of the desk top ends, half round smooth aluminium profile, top boards and top panels give the collection a sophisticated look.





### Evoke-2

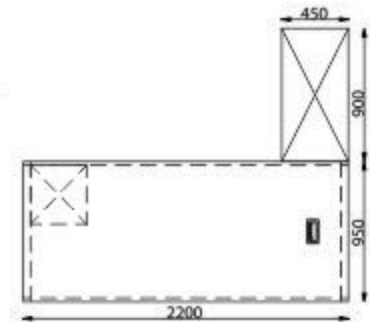
Colour Code:  
Laminate : 14545 & 22099



W 2200 X D 1850 X H 750

### Evoke-3

Colour Code:  
Laminate : 14545 & 22099

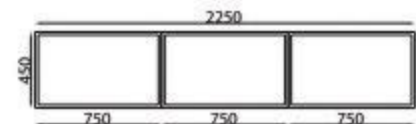


W 2200 X D 1850 X H 750



### Evoke-4

Colour Code:  
Laminate : 14545



Evoke - 4 (Complete unit)  
W 2250 x D 450 x H 2200  
Evoke - 5 (Centre unit)  
W 750 x D 450 x H 2200  
Evoke - 6 (End unit)  
W 750 x D 450 x H 2200

**Evoke-5**  
Colour Code:  
Laminate : 14545

**Evoke-5**  
(Centre Unit)

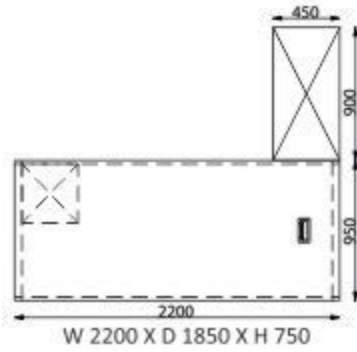
**Evoke-6**  
(End Unit)

**Evoke-6**  
Colour Code:  
14545

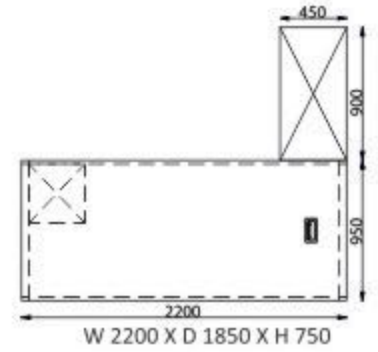




**Evoke-7**  
Colour Code  
Laminate : 10894 & 22091

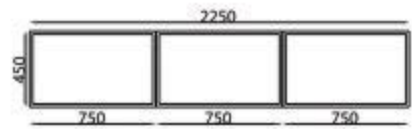


**Evoke-8**  
Colour Code  
Laminate : 10894 & 22091



**Evoke-9**  
W 2250 x D 450 x H 2200

**Evoke-9**  
Colour Code  
Laminate : 10894 & 22091



**Evoke-10**  
Colour Code  
Laminate : 10894 & 22091

**Evoke-10**  
(Centre Unit)

**Evoke-11**  
(End Unit)

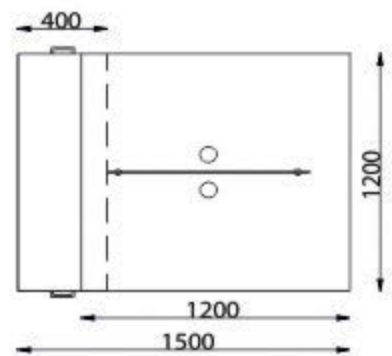
**Evoke-11**  
Colour Code  
Laminate : 10894 & 22091

- Evoke - 9 (Complete unit)  
W 2250 x D 450 x H 2200
- Evoke - 10 (Centre unit)  
W 750 x D 450 x H 2200
- Evoke - 11 (End unit)  
W 750 x D 450 x H 2200



Parco-1  
Colour Code:  
Laminate : 10894 & 22091

A functional system that offers plain and lively environments. It creates efficient, working environment where communication is underlined.

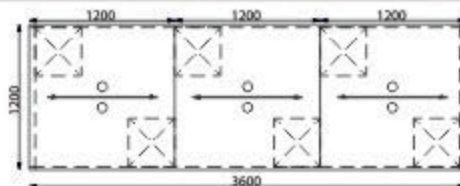


W 1500 X D 1200 X H 750



**Parco-2**

Colour Code:  
Laminate : 10894 & 22091

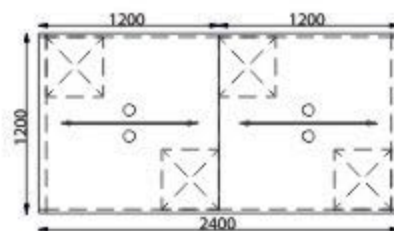


W 3600 X D 1200 X H 750



**Parco-3**

Colour Code:  
Laminate : 10894 & 22091



W 2400 X D 1200 X H 750

## Stelo Collection

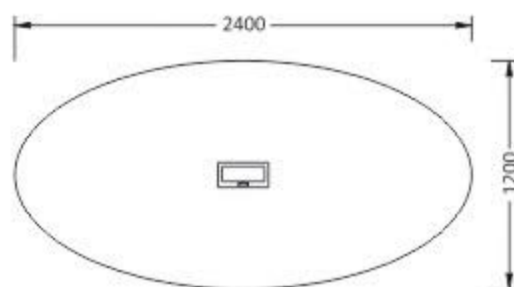


### Stelo 3

Colour Code:

Laminate : 10515 VNR

L2400 X D1200 X H750



W2400 X D1200 X H750

## Rave Collection



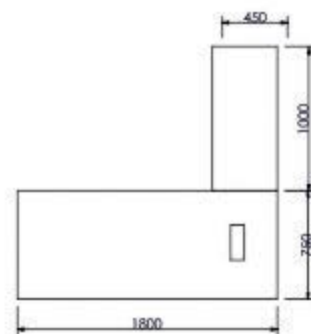
### Rave 1

Colour Code:

Laminate : 788

L 1650 X D 1750 X H 750

L 1800 X D 1750 X H 750





## Broadway

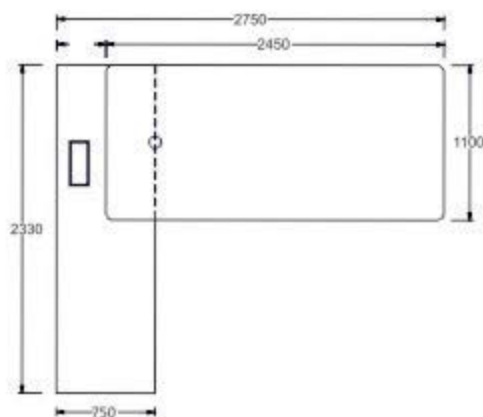
Colour Code:

Laminate : 10866

L 2750 x D 2330 x H 750

L 2450 x D 2330 x H 750

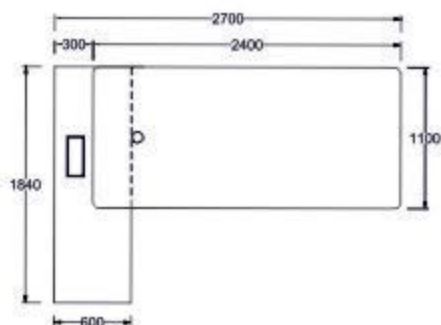
This Broadway range evokes a sense of easy relaxation, comfortable and infinitely versatile. Its innovation design, that is both distinctive and appealing and is ideally suited to corporate, luxurious environments.



# Rex Collection



Superbly engineered and with a robust, innovative design, Rex is a contemporary director room table range



## Rex

Colour Code:

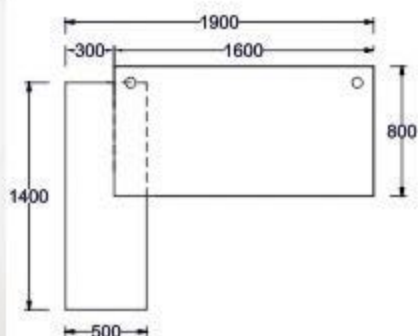
Laminate : 10091

L 2700 x D 1840 x H 750

L 2400 x D 1840 x H 750



## Oxford Collection



### Oxford

Colour Code:

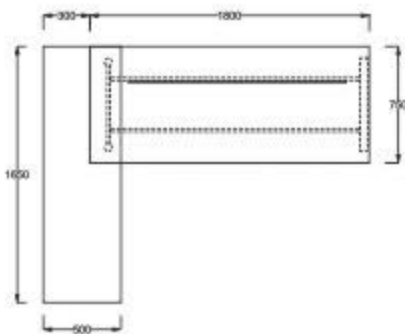
Laminate : 22091 & 10523

L 1900 x D 1400 x H 750

L 1600 x D 1400 x H 750



## Victory Collection



### Victory

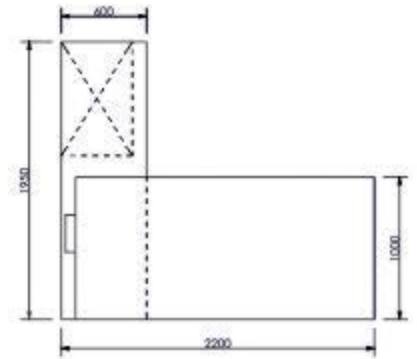
Colour Code:

Laminate : 10175 & 22091

L 2100(300+1800) x D1650 x H 750

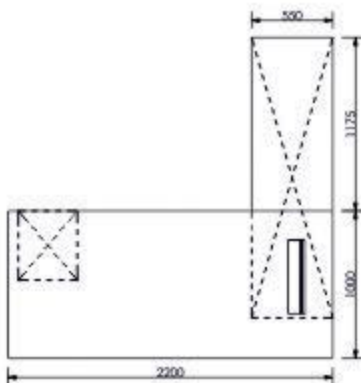
L 1800(300+1500) x D1650 x H 750





**Exclusive -2**

Colour Code:  
Laminate : 10866  
L 2200 x D 1950 x H 750  
L 2000 x D 1850 x H 750  
L 1800 x D 1750 x H 750



**Exclusive -3**

Colour Code:  
Laminate : 11005 & 10858  
L 2400 x D 2175 x H 750  
L 2200 x D 2175 x H 750  
L 2000 x D 2075 x H 750

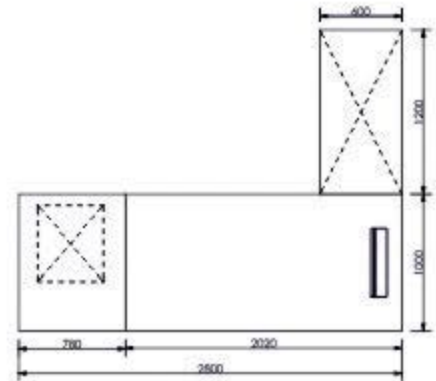






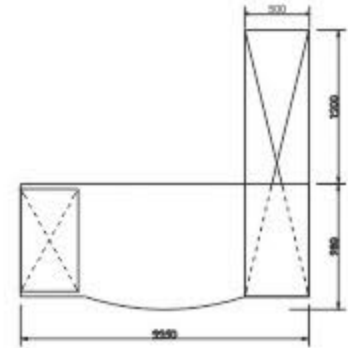
**Exclusive -4**

Colour Code:  
Laminate : 10858 & 11005  
L 2800 x D 2200 x H 750  
L 2600 x D 2100 x H 750



# Natural Elegance





**Exclusive -5**

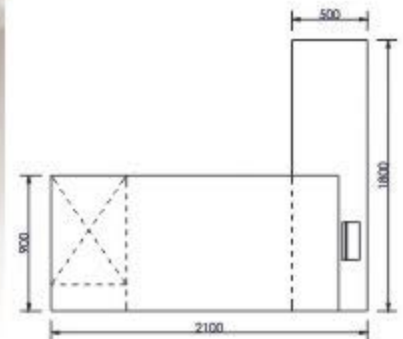
Colour Code:

Laminate : 10145 & 21066

L 2250 x D 2180 x H 750

L 2000 x D 2100 x H 750

L 1800 x D 2000 x H 750



**Exclusive -7**

Colour Code:

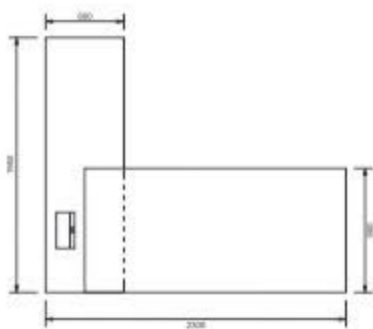
Laminate : 10699 & 22099

L 2100 x D 1800 x H 750

L 1950 x D 1700 x H 750

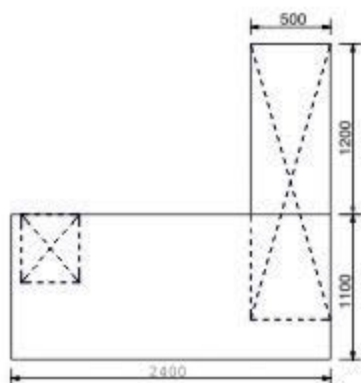
L 1800 x D 1650 x H 750





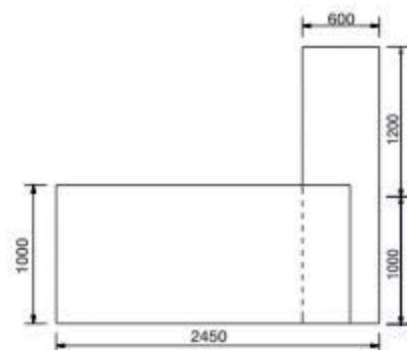
**Exclusive -10**

Colour Code:  
Laminate : 14620  
L 2300 x D 1950 x H 750  
L 2100 x D 1850 x H 750



**Exclusive -8**

Colour Code:  
Laminate : 10848 & 21066  
L 2400 x D 2300 x H 750  
L 2100 x D 2200 x H 750



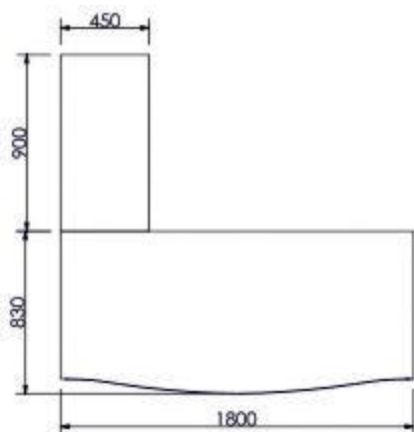
**Exclusive -9**

Colour Code:

Laminate : 10848 & 10036

L 2450 x D 2200 x H 750

L 2250 x D 2100 x H 750



**Exclusive -14**

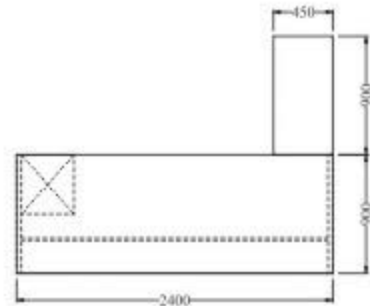
Colour Code:

Laminate : 10012 & 11005

L 1650 x D 1650 x H 750

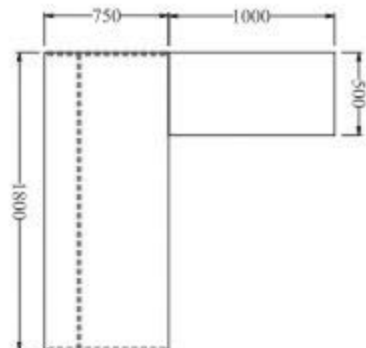
L 1800 x D 1730 x H 750

L 2000 x D 1880 x H 750



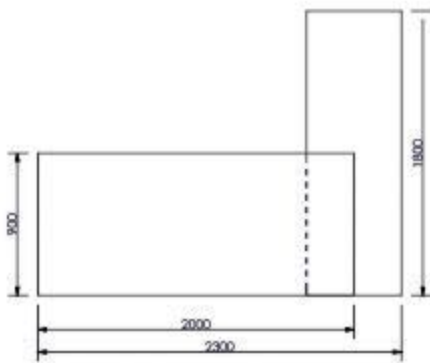
**Exclusive 15**

Colour Code:  
Laminate : 10858  
L 2400 x D 1800 X H 750  
L 2100 x D 1700 x H 750  
L 1800 x D 1650 x H 750



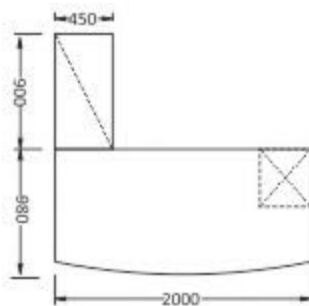
**Exclusive 16**

Colour Code:  
Laminate : 11005  
L 1800 x D 1750 X H 750  
L 1650 x D 1750 x H 750  
L 1500 x D 1750 x H 750



**Classic-2**

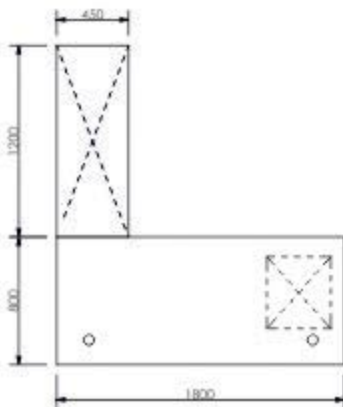
Colour Code:  
Laminate : 10091 & 21066  
Powder Coating : Black  
L 2300 x D 1800 x H 750  
L 2100 x D 1800 x H 750  
L 1800 x D 1800 x H 750



**Classic-5**

Colour Code:  
Laminate : 10012 & 21059  
Silver Deco Paint  
L 2000 x D1880 X H750  
L 1800 X D1700 X H750  
L 1600 X D1600 X H750





**Classic-8**

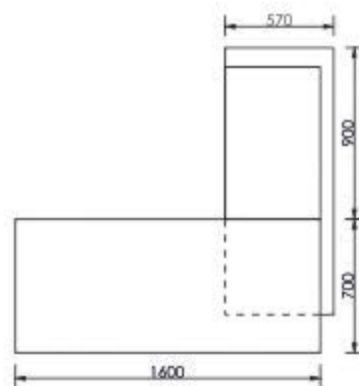
Colour Code:

Laminate : 22099 & 10699

L 1950 x D 2000 x H 750

L 1800 x D 2000 x H 750

L 1650 x D 1900 x H 750



**Classic-9**

Colour Code: Laminate :10848  
Powder Coating:White  
L 1950 x D1800 X H750  
L 1800 X D1700 X H750  
L 1600 X D1600 X H750



**Classic-12**

Colour Code: Laminate :10091  
Powder Coating:Brown  
L 1200 x D600 X H750  
L 1350 X D750 X H750  
L 1500 X D750 X H750



**Classic-13**

Colour Code: Laminate :10002  
Powder Coating:Black  
L 1200 x D600 X H750  
L 1350 X D750 X H750  
L 1500 X D750 X H750



**Classic-14**

Colour Code: Laminate :11005  
Powder Coating : Ral 7035  
L 1650 X D 750 X H 750



**Classic-15**

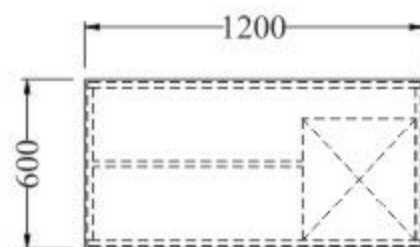
Colour Code: Laminate : 11005  
Powder Coating : Ral 7035/Brown  
L 1200 X D 600 X H 750  
L 1350 X D 750 X H 750  
L 1500 X D 750 X H 750





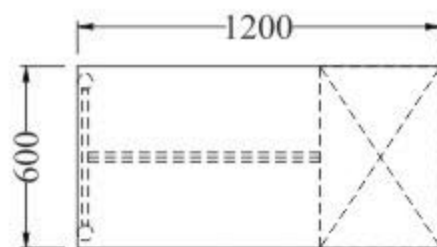
**Classic 16**

Colour Code :  
Laminate : 10019  
Powder Coating : White  
W 1200 x D 600 H 750  
W 900 x D 600 H 750



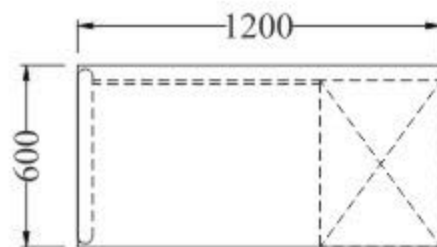
**Classic 17**

Colour Code :  
Laminate : 10544  
Powder Coating: Silver Gray  
W 1050 x D 600 H 750  
W 1200 x D 600 H 750  
W 1350 x D 600 H 750



**Classic 18**

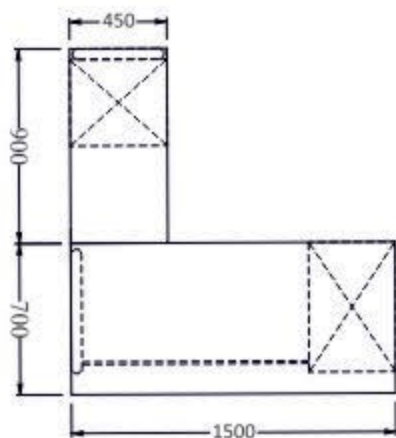
Colour Code:  
Laminate : 10002  
Powder Coating: White  
W 1050 x D 600 x H 750  
W 1200 x D 600 x H 750  
W 1350 x D 600 x H 750

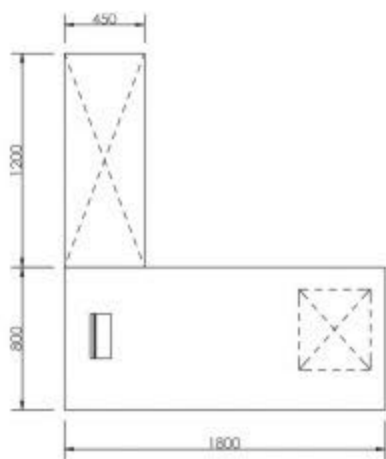




**Classic 19**

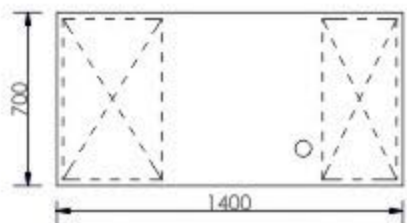
Colour Code:  
Laminate : 10002  
Powder Coating: white  
W 1500 x D 1600 x H 750  
W 1800 x D 1600 x 750





Numero -1  
Colour Code

Laminate : 10175 & 21059  
L 1950 x D 2000 x H 750  
L 1800 x D 2000 x H 750  
L 1650 x D 1900 x H 750

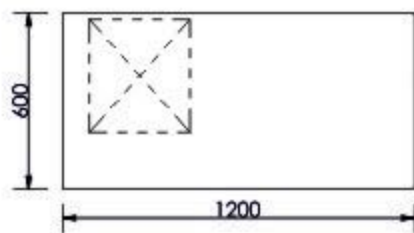


Numero -2

Colour Code: Laminate : 10858 & 11005

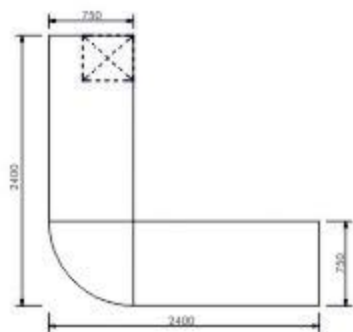
L 1600 x D 700 x H 750  
L 1500 x D 700 x H 750  
L 1400 x D 700 x H 750





**Numero -3**

Colour Code : Laminate : 10002  
Powder Coating : White  
L 1500 x D 750 x H 750  
L 1350 x D 600 x H 750  
L 1200 x D 600 x H 750



**Numero -4**

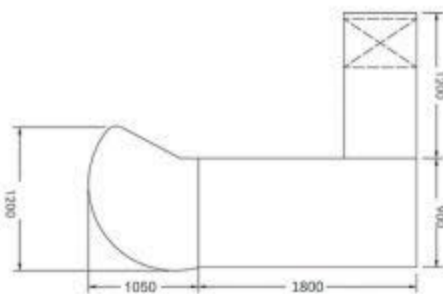
Colour Code:  
Laminate : 10036 & 21066  
L 2400 x D 2400 x H 750

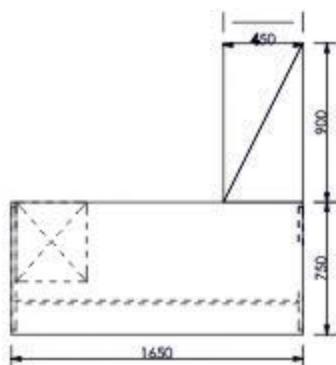




**Numero -5**

Colour Code:  
Laminate : 10002 & 21066  
L 2850 x D 2100 x H 750





**Numero -6**

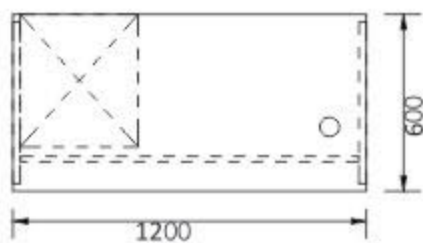
Colour Code:

Laminate : 11005 & 10012

L 1950 x D 1750 x H 750

L 1800 x D 1650 x H 750

L 1650 x D 1650 x H 750



**Numero -7**

Colour Code:

Laminate : 11005 & 10012

L 1500 x D 750 x H 750

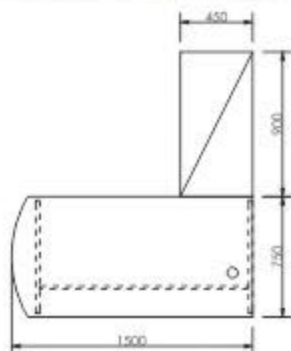
L 1350 x D 600 x H 750

L 1200 x D 600 x H 750



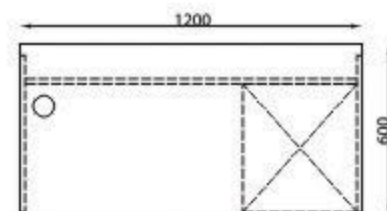
**Numero -8**

Colour Code:  
Laminate : 11005  
L 1500 x D 1650 x H 750



**Numero -9**

Colour Code:  
Laminate : 11005 & 10858  
L 1200 X D 600 X H 750  
L 1350 X D 750 X H 750  
L 1500 X D 750 X H 750



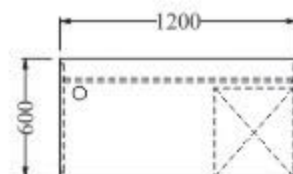
**Numero 10**

Colour Code:  
Laminate : 10002  
Powder Coating: White  
W 900 X D 600 x H750  
W 1200 x D 600 x 750  
W 1350 x D 600 x 750



**Numero 11**

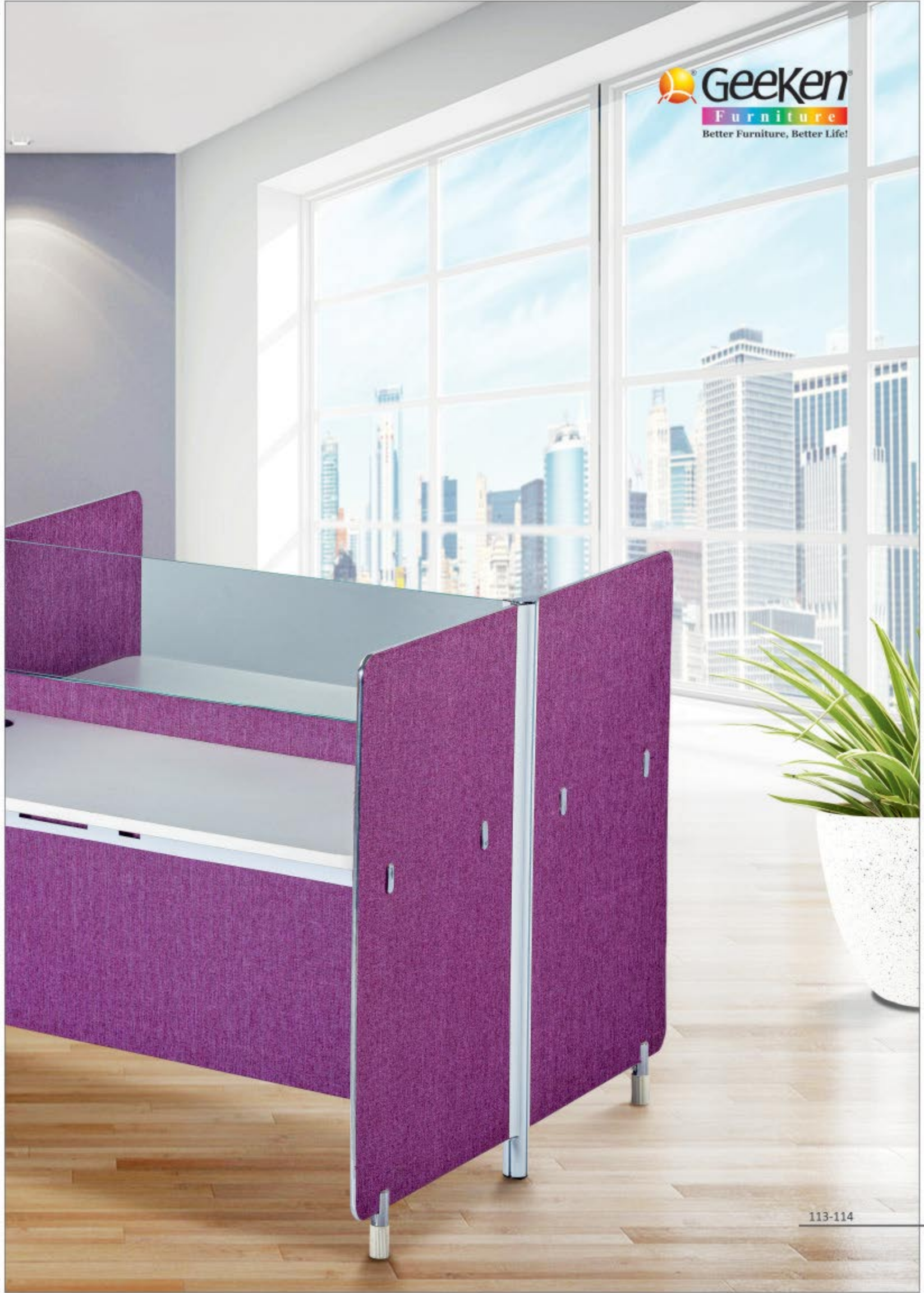
Colour Code  
Laminate : 10858  
W 1050 X D 600 x H750  
W 1200 x D 600 x 750  
W 1350 x D 600 x 750





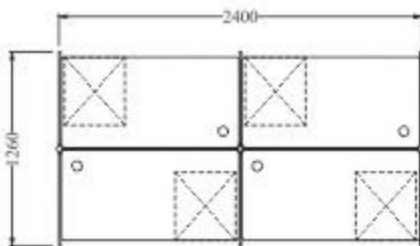
Dynamic, Flexible  
& Active





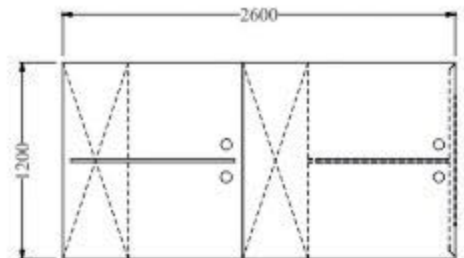


Enhancing user experience through agile work settings, universal flexibility enables people to perform at their best



Axis- 1  
W2400 X D1260 X H1100  
Colour Code:  
Laminate : 22091  
Powder Coating : White  
Fabric : NX 15



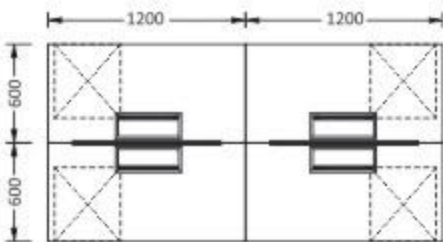


**Pledge- 1**  
W2600 X D1200 X H1100  
Colour Code:  
Laminate : 3009 & 21066



**Imagine -1**  
Colour Code:  
Laminate : 10002  
Powder Coating : White  
W2400 X D1200 X H1050

The collection is executed in a fashionable minimalistic style. The well thought out possibilities for variations with this model range and a wide choice of colors allow us to create a unique office for each client. This series has been worked out with consideration of requirements in this modern world for ergonomics and functionality of the office furniture.



W2400 X D1200 X H1050





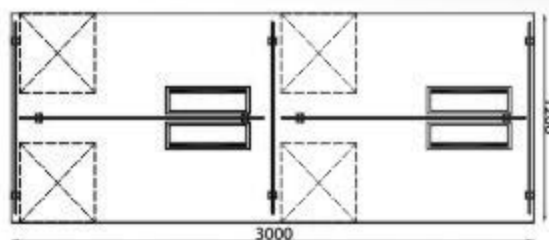
Flexibility in workspace increases in employee's comfort, well being and productivity. It has been designed to meet the requirement of a perfect working environment.

**Ambiente -1**

Colour Code:  
Laminate : 10031  
Powder Coating : DA Gray



W 3000 X D 1200 X H 750/1100

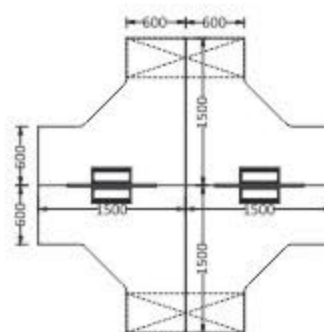


Oxy Collection

 **Geeky**  
Furniture  
Better Furniture, Better Life!

## Elegance and comfort in perfect lines

Combines maximal comfort, high quality and excellent ergonomics and functional properties. This stylish and modern workstation is a real good office partner in any office environment.



W3000 X D3000 X H1050



W3000 X D3000 X H1050

**Oxy -1**

Colour Code:

Laminate : 10175 & 21059

Chrome Plated Legs



Polar Collection

**GeekEn**  
Furniture  
Better Furniture, Better Life!



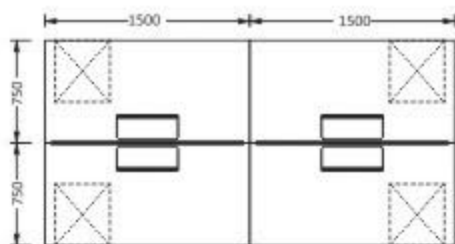
**Polar -1**

Colour Code:

Laminate : 10175 & 22091

Chrome Plated Legs

W3000 X D1500 X H1050



W3000 X D1500 X H1050





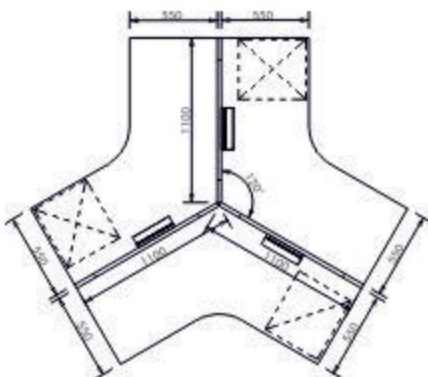


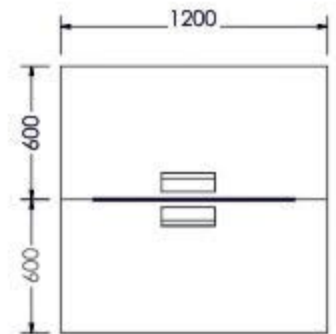
**Optima -1**

Colour Code:  
Laminate : 10866 & 11005  
Powder Coating : White  
W 1100 x D 1100 x H 1050

**Technical Specification**

- Desk based system with 25 mm screen.
- Powder coated triangle frame leg.
- Raceway provision below the worktop for data & electrical wiring.





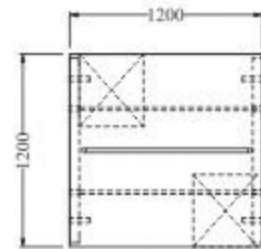
**Optima -5**  
Colour Code:  
Laminate : 10852  
Powder Coating : White  
W 1200 x D 1200 x H 1050

Screen Color Options





Edge Profile

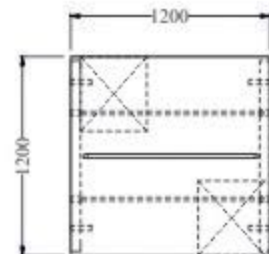


**Optima-6**

Colour Code:  
 Laminate : 22091  
 Powder Coating : Moon Gray  
 W1200 X D1200 X H1050



Edge Profile



**Optima-7**

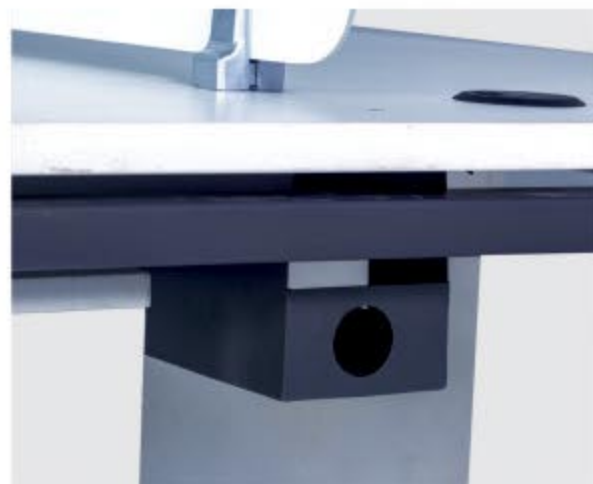
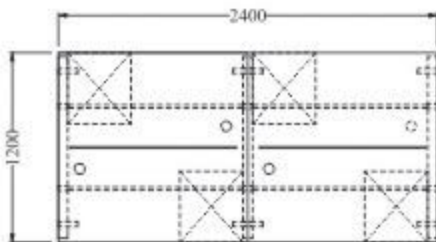
Colour Code:  
 Laminate : 22091  
 Powder Coating : Moon Gray  
 W1200 X D1200 X H1150



**Optima 8**  
Colour Code:  
Laminate : 22091  
Powder Coating : DA Gray  
W2400 X D1200 X H1050

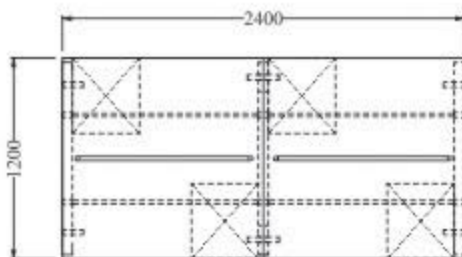


## Creating Spaces For Collaborative Work & Group Activities





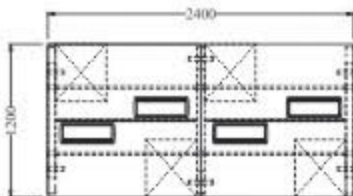
Edge Profile



**Optima 9**  
Colour Code:  
22091  
W2400 X D1200 X H1050

# Optima Collection

**Geeken**  
Furniture  
Better Furniture, Better Life!



## Optima 10

Colour Code:

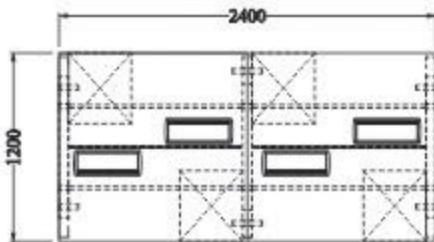
Laminate : 22091

Powder Coating : White

W2400 X D1200 X H1100

Top Size: 1200x1200





**Optima 11**

Colour Code:  
Laminate : 11005  
Powder Coating : White  
W2400 X D1200 X H1050  
Top Size: 1200x1200



Groove Collection

**Geeken**  
Furniture  
Better Furniture, Better Life!



Harmony of efficiency,  
ergonomics and aesthetics

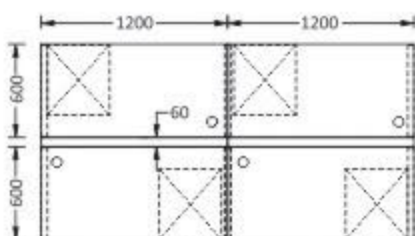
Groove -1

Colour Code:

Laminate : 10591 & 21066

Powder Coating : Black

W2400 X D1260 X H1200



W2400 X D1260 X H1200







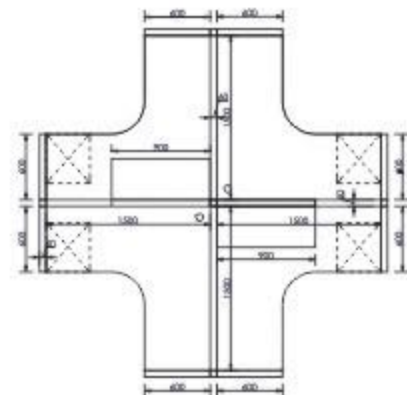


## Stratum -1

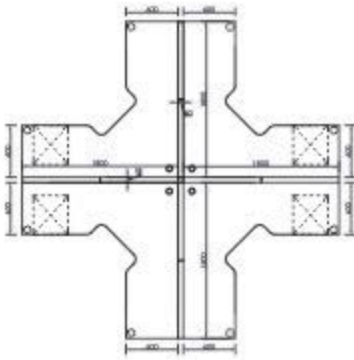
Colour Code:  
Laminate : 10002, 22099  
Powder Coating : DA Gray  
W 3180 x D 3180 x H 1650

### Technical Specification

- 60mm panel based partition system.
- Flat top and end covers.
- End covers with plastic sliding strips.
- Aluminum extruded sections.
- 100mm height of raceway for data & electrical wiring.

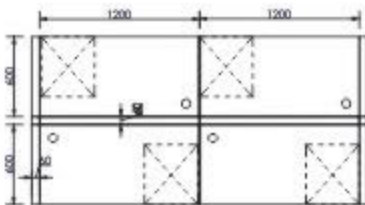


W 3180 x D 3180 x H 1650



**Stratum -2**

Colour Code:  
Laminate : 10036  
Powder Coating : Silver Gray  
W 3660 x D 3660 x H 1200

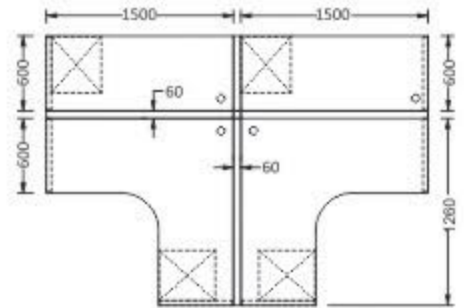


**Stratum -3**

Colour Code:  
Laminate : 11005  
Powder Coating : Moon Gray  
W 2520x D 1260 x H 1200



All those who like a never ageing classical style with its exquisite and at the same time austere design, will love this range. This model includes everything necessary to create a comfortable work environment in an office.



W3060 X D1860 X H1200

**Essence -1**

Colour Code:  
Laminate : 10012 & 21059  
Powder Coating : DA Gray  
W3060 X D1860 X H1200





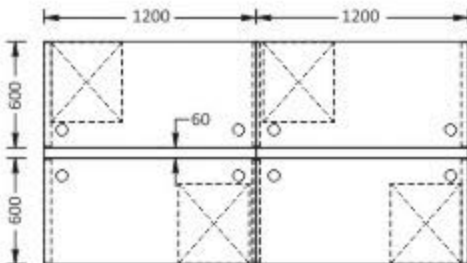
**Dual -1**

Colour:

Laminate : 22091

Powder Coating : DA Gray

W 2400 X D 1260 X H 1200



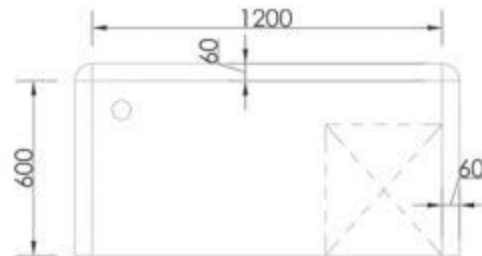
W 2400 X D 1260 X H 1200



Max Collection

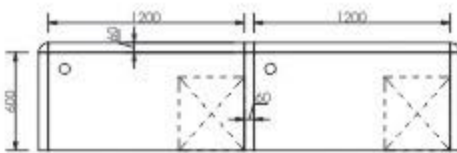
 **GeekEn**  
Furniture  
Better Furniture, Better Life!





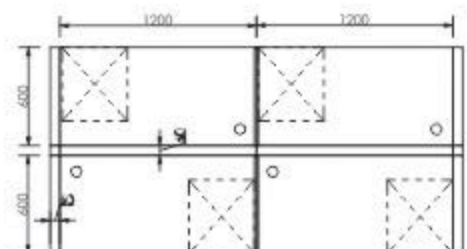
**Max -1**

Colour Code:  
Laminate : 11005  
Powder Coating : Moon Gray  
W 1320 x D 660 x H 1200



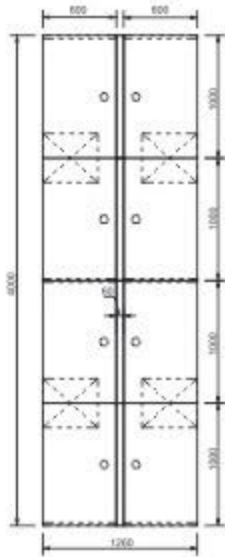
**Max -2**

Colour Code:  
Laminate : 11005  
Powder Coating : Moon Gray  
W 2580 x D 660 x H 1200



**Max -4**

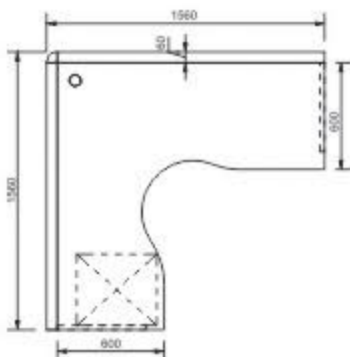
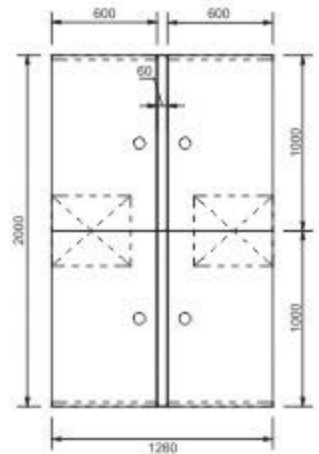
Colour Code:  
Laminate : 10012  
Powder Coating : Bone Gray  
W 2520 x D 1260 x H 1200



**Max -5**  
Colour Code:  
Laminate :11005 & 10019  
Powder Coating : White  
W 4000 x D 1260 x H 1200



**Max -6**  
Colour Code:  
Laminate : 11005 & 10019  
Powder Coating : White  
W 2000 x D 1260 x H 1200



**Max -7**  
Colour Code:  
Laminate : 11005 & 10019  
Powder Coating : White  
W 1560 x D 1560 x H 1200



Conference Collection

 **Geeken**  
Furniture  
Better Furniture, Better Life!





**Conference 16**

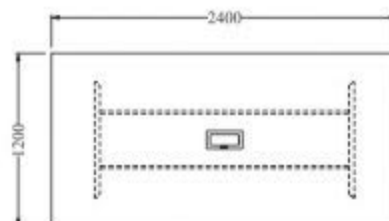
Colour Code:

Laminate : 10544 & 21059

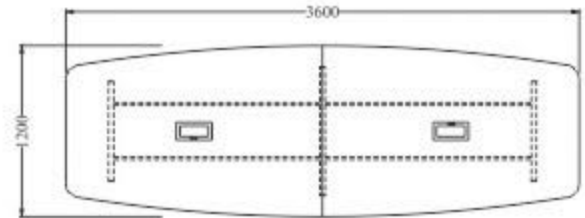
L 2400 x D 1200 x H 750

L 2100 x D 900 x H 750

L 1800 x D 900 x H 750



# Conference Collection



**Conference -5**  
Colour Code:  
Laminate : 10012  
L 5400 x D 1500 x H 750  
L 4500 x D 1500 x H 750  
L 3600 x D 1200 x H 750



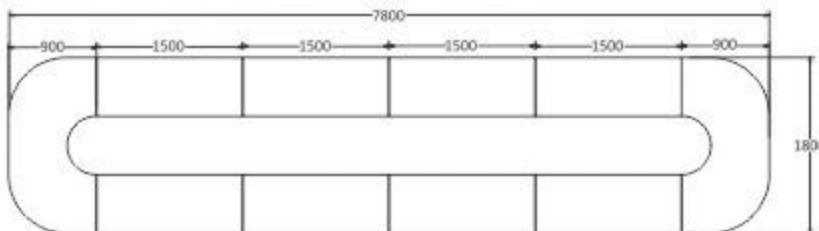


Thoughts become  
creative when you  
share together



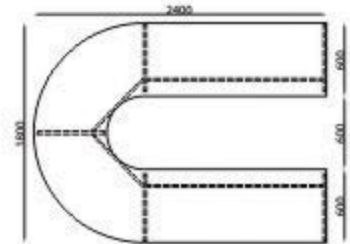
Conference -13

Colour Code:  
Laminate : 10175 & 22099  
L 7800 x D1800 X H750





Conference -15  
Colour Code:  
Laminate : 10175 & 22099



L 2400 X D 1800 X H 750



Conference -4  
Colour Code:  
Laminate :10002  
L 6000 x D 3000 x H 750



## Conference 6

Colour Code:

Laminate : 10528

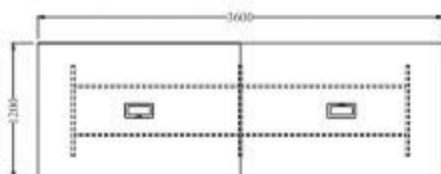
L 3600 X D 1200 X H750

L 3000 X D 1200 X H750

L 2700 X D 900 X H750

L 2100 X D 900 X H750

L 1800 X D 900 X H750



## Conference -10

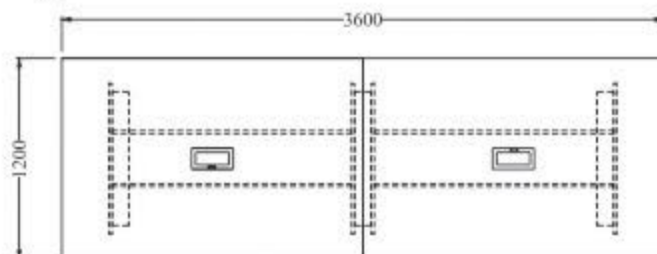
Colour Code:

Laminate : 14620

L 3600 x D 1200 x H 750

L 3000 x D 1200 x H 750

L 2400 x D 1200 x H 750





**Conference -11**

Colour Code:

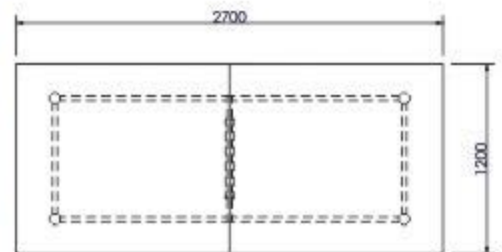
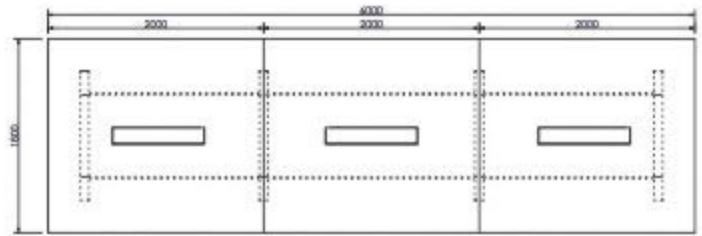
Laminate : 10848

L 3600 x D 1200 x H 750

L 4500 x D 1500 x H 750

L 6000 x D 1800 x H 750

**Fabric on leg side panels**



**Conference -12**

Colour Code:

Laminate : 10544

Chrome Plated Legs

L 2400 x D 1200 x H 750

L 2700 x D 1200 x H 750

L 3600 x D 1200 x H 750



**Conference -1**

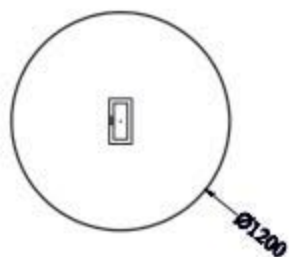
Colour Code:  
Laminate : 10858  
Powder Coating : White  
L 3600 x D 1200 x H 750  
L 3000 x D 1200 x H 750  
L 2400 x D 1200 x H 750



**Conference -2**

Colour Code:  
Laminate : 10012  
L 3600 x D 1200 x H 750  
L 3000 x D 1200 x H 750  
L 2400 x D 1200 x H 750





**Conference-17**

Colour Code:

Laminate : 10544

Dia 1200 x H 750

Dia 1050 x H 750

Dia 900 x H 750



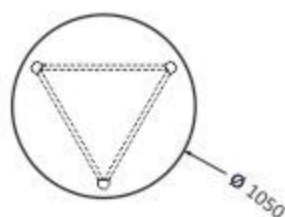
**Conference -9**

Colour Code:

Laminate : 10002

Dia 1200x750 mm

Dia 900x750 mm



**Conference -14**

Colour Code:

Laminate : 10544

Dia 900 X H 750

Dia 1050 X H 750

Dia 1200 X H 750

Reception Collection

 **GeekEn**  
Furniture  
Better Furniture, Better Life!



# Reception Collection



Reception -1

Colour Code:  
Laminate : 10858 & 11005  
L 2400 x D 820 x H 1000



Reception -2

Colour Code:  
Laminate : 10012 & 21059  
L 2400 x D 700 x H 1000



Reception -3

Colour Code:  
Laminate : 22099, 21059 & 49931  
L 1500 x D 600 x H 1000



# Computer Desk

Collection

**Geeken**  
Furniture  
Better Furniture, Better Life!



**Computer Desk -1**  
Colour Code:  
Laminate : 10002  
L 1500 x D 750 x H 750



**Computer Desk -2**  
Colour Code:  
Laminate : 10002  
L 1200 x D 600 x H 750

# Computer Desk

Collection



**Computer Desk -3**  
Colour Code:  
Laminate : 10841  
L 1500 x D 750 x H 750



**Computer Desk -4**  
Colour Code:  
Laminate : 10841  
L 1200 x D 600 x H 750



**Computer Desk -5**  
Colour Code:  
Laminate : 10091 & 11005  
L 1200 X D 600 X H 750



**Computer Desk -6**  
Colour Code:  
Laminate : 10175  
L 800 X D 500 X H 750



**Computer Desk-7**  
W1050 X D600 X H750  
Colour Code:  
Laminate : 22091 & 10091



**Pedestal -1**

Colour Code:  
Laminate : 10002  
W 400 x D 560 x H 540



**Pedestal -2**

Colour Code  
Laminate : 10175 & 21028  
W 440 x D 580 x H 600



**Pedestal -3**

Colour Code  
Laminate : 10036  
W 400 x D 450 x H 680



**Pedestal -4**

Colour Code:  
Laminate : 21059  
W 400 x D 450 x H 680



**Pedestal -5**

Colour Code:  
Laminate : 10012 & 21059  
W 400 x D 600 x H 605



**Pedestal -6**

Colour Code:  
Laminate : 22059  
W 400 x D 450 x H 680



**Pedestal -7**

Colour Code:  
Laminate : 10591  
W 400 x D 450 x H 680



**Pedestal -8**

Colour Code:  
Laminate : 10012  
W 400 x D 450 x H 680



**Pedestal -9**

Colour Code  
Laminate : 10544  
W 400 x D 450 X H 580



**Storage -1**

Colour Code: Laminate : 10175 & 21028  
W 1800 x D 400 x H 2000



**Storage -2**

Colour Code : Laminate : 10002  
W 1200 x D 400 x H 1850



**Storage -3**

Colour Code : Laminate : 10858 & 11005  
W 1600 x D 550 x H 2000



**Storage -4**

Colour Code : Laminate : 10858 & 11005  
W 900 x D 450 x H 2000



**Storage -5**

Colour Code : Laminate : 11005 & 10858  
W 900 x D 450 x H 750



**Storage -6**

Colour Code : Laminate : 10002  
W 900 x D 450 x H 750



**Storage -7**

Colour Code : Laminate : 10039  
W900 X D400 X H 900

# Storage Collection



**Pigeon Hole**

Colour Code : Laminate : 10002  
W 900 X D 450 X H 2100



**Storage -8**

Colour Code : Laminate : 11005 & 10019  
W 1800 x D 450 x H 750



**Storage -9**

Colour Code : Laminate : 10002  
W 1500 x D 450 x H 750



**Storage -10**

Colour Code : Laminate : 10002  
W 900 x D 450 x H 2100



**Storage -11**

Colour Code : Laminate : 11005 & 10019  
W 900 x D 450 x H 1200



**Storage -12**

Colour Code : Laminate : 14620  
W 1800 x D 450 x H 900



**Storage-13**

Colour Code : Laminate : 10894, 22091  
W1600 X D450 X H1240



**Manhattan-2 (Veneer)**

Colour Code : Paldao & American White Ash Veneer  
L 3000 X D 450 X H 900  
L 2400 X D 450 X H 900



## Laminates Options



10002 Mangfall Beech    10175 Asian Mapple    11005 Neo Highland Pine    10091 Nova Teak    22091 Arctic White    21059 Platinum



10858 Wenge    10012 Oxford Cherry    10699 Mahogany    22099 Slate    10145 Red Oxford Cherry    10007 Douglas Pine



10036 White Beech    11192 Neo Bavarian Beech    10544 Canadian Walnut    10031 Fine Oak    10848 Straight Walnut DX    10019 Sapelle

\*(For DX shade rate will be charged extra.)

## Powder Coats



Black    Ivory    RLT White    Chocolate Brown    Moon Grey    Silver Grey    Bone Grey    D.A. Grey

## Fabrics



Med Blue (F191)    Acorn (F128)    Caramel (F132)    China Sea (MS407)    Roman Green (MS440)    Lavender (MS416)    Dago Orange (F181)    Spearmint (F102)

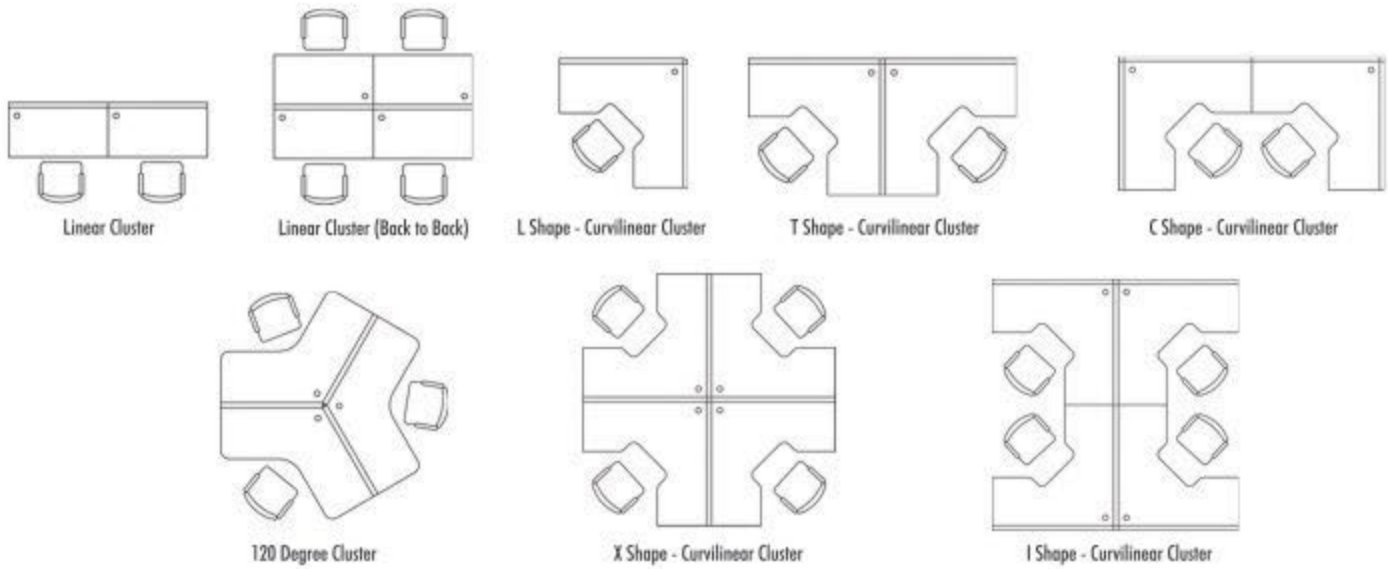


Flame (F123)    Attenzione (MS419)    Fresco (MS420)    Cinnamon (MS422)    Cream Blue (NE801)    Cement Yellow (NE817)    Beige Pacific Blue (NE803)    Salmom (MS425)

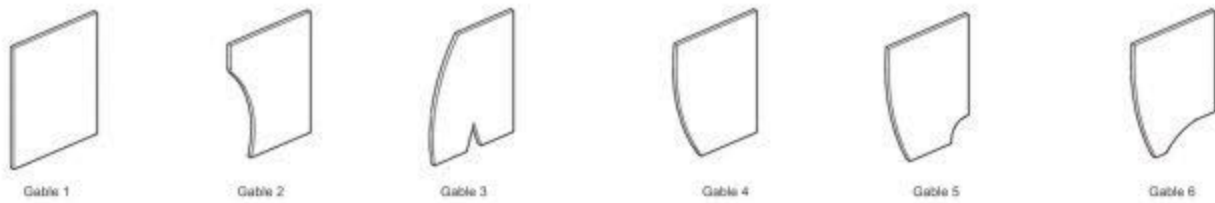


Reflection (MS438)    Vesuvius (MS410)    Gold Blue (NE821)    Wine Blue (NE822)    Blue (NE824)    Granada (MS452)    Mink (MS449)    Dark Forest (MS437)

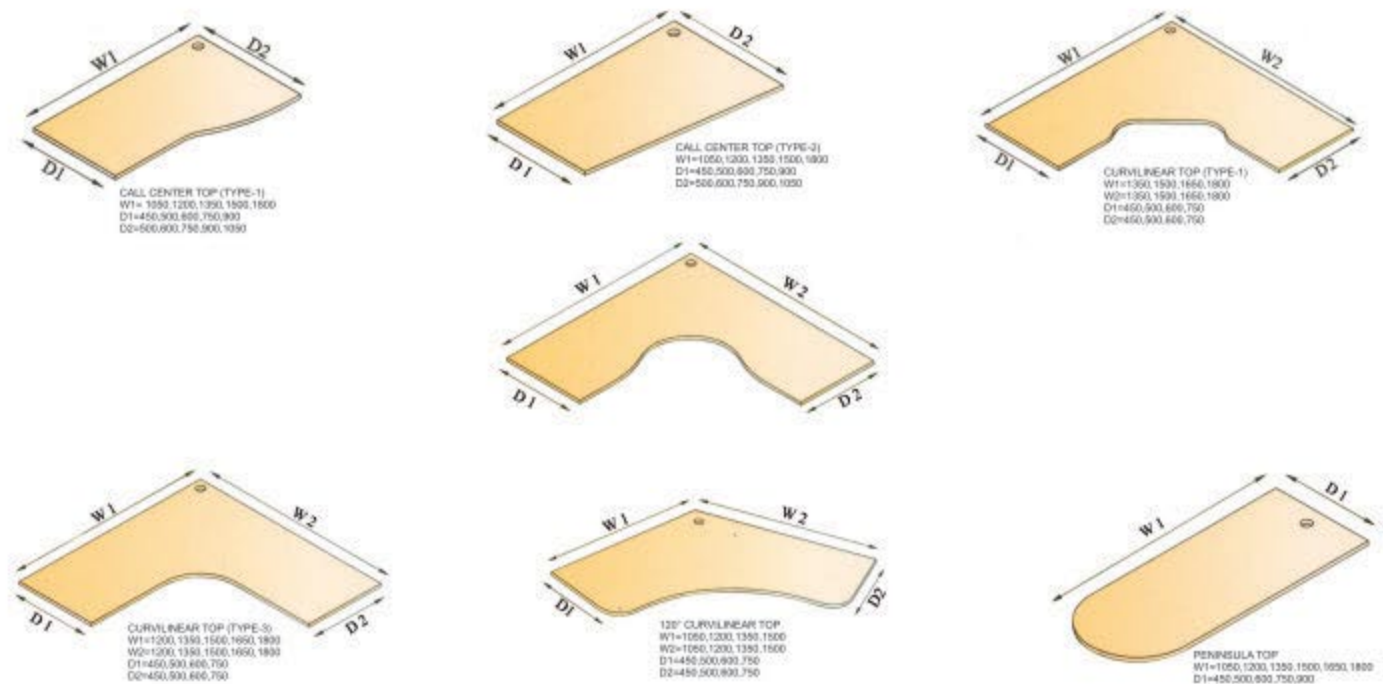
## Cluster Option



## Gable Option



## Work Top Option



Design & Specifications are subject to change without prior notice.

- All sizes mentioned are in MM.
- Accessories & props (Chair etc.) shown in the pictures are not part of product.



Flaper



Metal keyboard tray



Flip box



Desktop Socket



Laminated keyboard tray



Metal CPU Trolley



Wire manager cap



Round pole leg



I leg



Vertebrae -1



Reducing leg



155-156

Sofa  
Sets





Discover all new range of sofa sets, distinctively elegant, high in quality and out of the box design, will surely be an object'd art of any office. An ideal choice of any reception areas and breakout areas of office environment.



Lider comes from the idea to offer high comfort with a reassuring warm and familiar gesture. The timeless lines, soft and embracing design, adaptability and versatile character make this sofa that offers the utmost comfort in an office environments.



**Viking 3**

Colour Code:  
Seat & Back-Duke Tan &  
Back-Rear-Optic-05



**Viking 1**

Colour Code:  
Seat & Back-Duke Tan &  
Back-Rear-Optic-05

This Viking collection offers contemporary lines and reassuring comfort. these versatile designs possess a timeless appeal that will compliment any interior.

# Admire Collection



Admire is a sofa collection for reception and lounge area as well as informal meetings in the office environments. With its distinctive look, it adds a splash of creativity to the company identity.



**Admire 1**

Colour Code:  
Seat & Back-Aloha Beige &  
Back-Rear-Aloha Grey



**Admire 3**

Colour Code:  
Seat & Back-Aloha Beige &  
Back-Rear-Aloha Grey



# Equino Collection



With its soft, welcoming and distinctive look, this Equino is designed to fit at any office environment or public area.



**Equino 1**

Colour Code:  
Seat & Back-Aloha Beige &  
Back-Rear-Aloha Grey



**Equino 3**

Colour Code:  
Seat & Back-Aloha Beige &  
Back-Rear-Aloha Grey



Rosemount is a sofa with a classic design for most environments. It creates an interesting and playful expression in the office.



**Rosemount 1**  
Colour Code:  
Lisabel-713



**Rosemount 2**  
Colour Code:  
Lisabel-713



Regal -3  
Colour Code:  
GKN-19



Regal Centre Table  
Colour Code:  
Swiss Ebony Veneer  
L 1200 X D 1200 X H 410  
L 900 X D 900 X H 410  
L 600 X D 600 X H 410



Regal Corner Table  
Colour Code:  
Swiss Ebony Veneer  
L 500 X D 500 X H 550

Scott Collection

 **GeeKen**  
Furniture  
Better Furniture, Better Life!



Scott -1  
Colour Code:  
Lisabel-713

Sirena Collection

 **Geeken**  
Furniture  
Better Furniture, Better Life!



Sirena -3  
Colour Code:  
GL-01



Sirena -2  
Colour Code:  
GL-01



Sirena -1  
Colour Code:  
GL-01

Walter Collection



Walter -3  
Colour Code:  
GKN-013



Walter -2  
Colour Code:  
GKN-013



Walter -1  
Colour Code:  
GKN-013



Lexia- 3  
Colour Code  
GKN-020



Lexia- 2  
Colour Code  
GKN-020

Elegant  
and  
Classic



Lexia- 1  
Colour Code  
GKN-020



Plush- Brown  
Colour Code  
GKN-019



## Sophisticated Design



Zap- 2  
Colour Code:  
GKN-025



Zap- 1  
Colour Code:  
GKN-025



Zap- 3  
Colour Code:  
GKN-025

Something of a contemporary classic, the timeless, the perfect designing of ZAP is a confident addition to any workspace. The GEEKEN's design commitment to craftsmanship is ably articulated through the finest stitching and superior quality upholstery. It is an inviting and comfortable seating option.





Arc- S Type  
(1+1)

Colour Code:  
ANKARA TEC-1012 GREEN &  
ANKARA TEC-1024 GREY

Arc is the most versatile seating available, offering a completely flexible solution for any breakout area. The simple, smart components of the ARC range can be used individually or arranged in a variety of dynamic configurations. Making it an ideal collection for informal meeting and all working environment.



Arc- C Type  
(1+1)

Colour Code:  
ANKARA TEC-1012 GREEN &  
ANKARA TEC-1024 GREY



Arc- C Type  
(1+1)

Colour Code:  
ANKARA TEC-1012 GREEN &  
ANKARA TEC-1024 GREY

Shapes  
and  
forms



Concord- 1  
Colour code:  
NASA-01



Concord- 2  
Colour code:  
NASA-01

Design  
unmatched



Concord- 3  
Colour code:  
NASA-01



**Stanley- 2**  
Colour Code:  
GKN-026



**Stanley- 1**  
Colour Code:  
GKN-026



**Stanley- 3**  
Colour Code:  
GKN-026

Tapered arm design combine with deep padded seats- stanley is a classical look to any reception or lounge environment. Available as a single, double and three seater option.

## Kevin Collection



Colour Code:  
GKN-01

## Flamingo Collection



Colour Code:  
GKN-06

**Henley** Collection



Colour Code:  
GKN-03

**Questo** Collection



**Questo- 1**  
Colour Code:  
GKN-06



**Questo- 3**  
Colour Code:  
GKN-06

## Aura Collection



Colour Code:  
GKN-05

## Vegas Collection



Colour Code:  
GKN-03

## Chicago Collection



Colour Code:  
GKN-03

## Columbia Collection



Colour Code:  
GKN-03

## Ergo Collection



**Ergo- 1**  
Colour Code:  
GKN-03



**Ergo- 3**  
Colour Code:  
GKN-03



**Manchester- 3**  
Colour Code:  
GL 2 (Black)

This Manchester sofa will embellish any office, will make any business interior look stylish and elegant



**Manchester- 2**  
Colour Code:  
GL 2 (Black)



**Manchester- 1**  
Colour Code:  
GL 2 (Black)





This has been designed to offer stylish solutions for public area seating. It transforms any type of environment, modern as well as more classical, the powder coating details enrich even more the product.

This range comes complete with USB and electrical sockets elegantly inserted in the side of the seat.



Fly-1



Fly-2



Fly-3



Fly-4



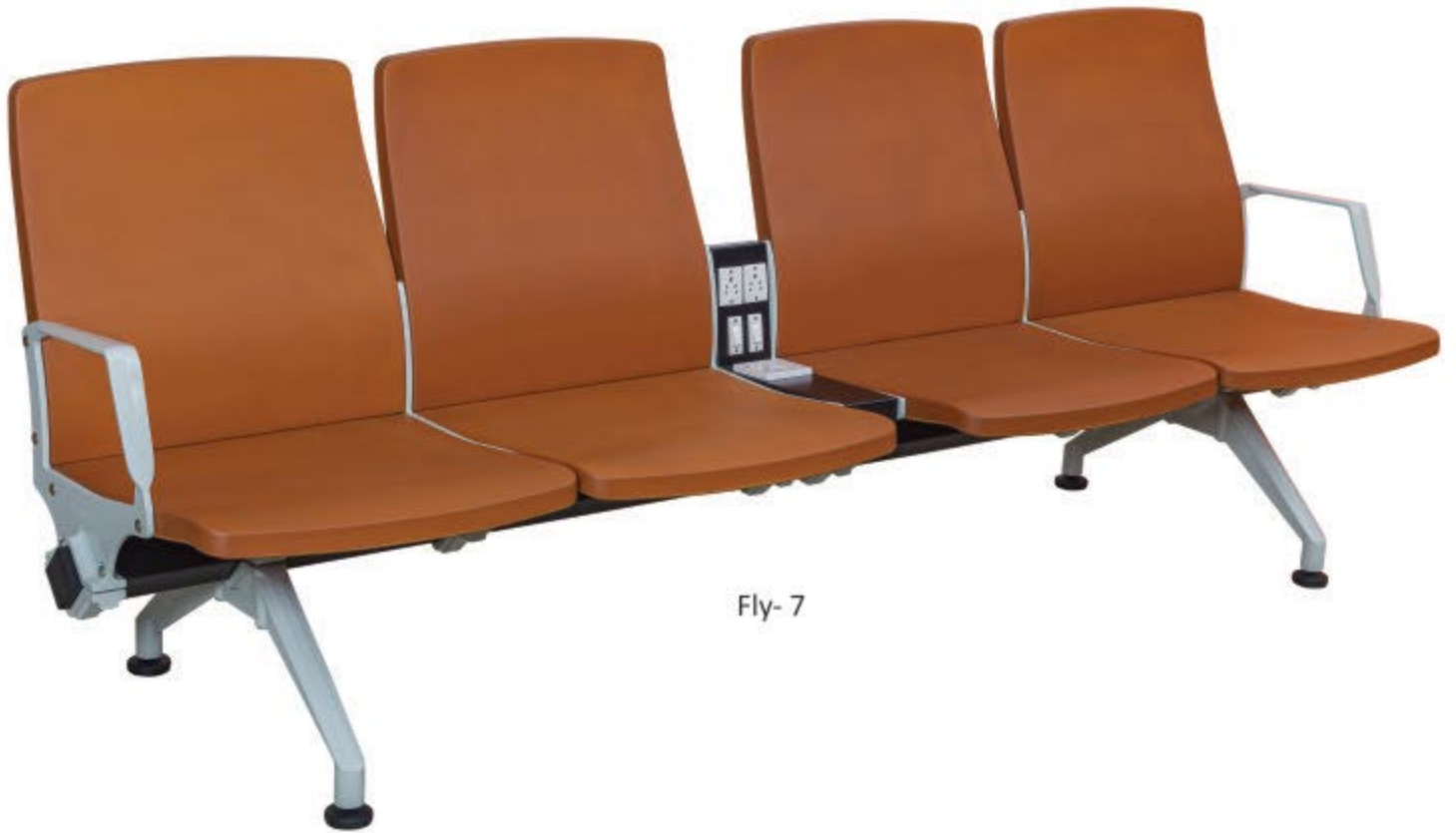


Fly-5



Fly-6





Fly-7



## Cubis Collection



**Cubis- 1**  
Colour Code:  
Powder Coating : Bone Gray



**Cubis- 2**  
Colour Code:  
Powder Coating : Bone Gray



**Cubis- 3**  
Colour Code:  
Leatherite : GKN-03  
Powder Coating : Bone Gray/Red

## Magnum Collection



**Magnum- 4**  
Colour Code:  
Powder Coating : Silver Gray



**Magnum- 3**  
Colour Code:  
Powder Coating : Silver Gray



**Magnum- 2**  
Colour Code:  
Leatherite : GKN-07  
Powder Coating : Silver Gray



**Magnum- 1**  
Colour Code:  
Powder Coating : Silver Gray

## Magnum Collection



Magnum- 5 (SS)



Magnum- 6 (SS)



Magnum- 7 (SS)

## Welmar Collection



Welmar- 3  
Colour Code :  
GKN-03



Welmar- 2  
Colour Code :  
GKN-03



Welmar- 1  
Colour Code :  
GKN-03

## Evita Collection



**Evita- 1 (SS)**

Colour Code:  
Perforated Seat Back, Pipe Legs Frame,  
Size in mm - 1390(L) X 550(D) X 890(H)



**Evita- 2 (SS)**

Colour Code:  
Perforated Seat Back, Pipe Legs Frame,  
Size in mm - 1390(L) X 550(D) X 450(H)

## Hamilton Collection



**Hamilton- 3**

Colour Code  
GKN-010  
Leatherite Tapestry



**Hamilton- 2**

Colour Code  
GKN-010  
Leatherite Tapestry

## Swing Collection



**Swing**

Colour Code:  
MOLFINO-210  
Powder Coating - Silver Gray

Centre Table Collection



FFFTHEFFUTUREFFBELONGSFF  
FFTOFFTHOSEFFWHOFBELIEVEFF  
FFINFFTHEFFBEAUTYFFOFF  
FFTHEIRFFDREAMSFF  
FFFFELEANORFFROOSEVELTFF



**Rich in Styling and  
Superior in Construction**





**Admire Centre Table**  
Colour Code : Laminate : 10894  
L 1200 x W 600 x H 450  
L 600 x W 600 x H 450



**Rosemount Centre Table**  
Colour Code : Laminate : 10858  
L 1200 x W 600 x H 430  
L 600 x W 600 x H 430



**Walter Centre Table**  
Colour Code : Laminate : Zebrano Veneer & PU Polish  
L 1200 x W 600 x H 420  
L 600 x W 600 x H 420



**Ideal Centre Table**  
Colour Code : Tex Black Glass  
Powder Coating : Black  
L 1200 X W 600 X H 450  
L 600 X W 600 X H 450



**Lider Centre Table**  
Colour Code : Santos Veneer  
L 1200 x W 750 x H 410



**Lider Corner Table**  
Colour Code : Santos Veneer  
L 750 x W 750 x H 550

# Centre Table Collection



**Regal Centre Table**

Colour Code : Swiss Ebony Veneer  
L 1200 X W 1200 X H 410  
L 900 X W 900 X H 410  
L 600 X W 600 X H 410



**Regal Corner Table**

Colour Code : Swiss Ebony Veneer  
L 500 X W 500 X H 550



**Club Centre Table**

Colour Code : Laminate : 10858 & 11005  
L 1200 X W 600 X H 430



**Club Corner Table**

Colour Code : Laminate : 10858 & 11005  
L 600 X W 600 X H 430



# Centre Table Collection



**Zyron**  
Colour Code : Laminate : 10544



**Recta**  
Colour Code : Laminate : 788



**Galaxy**  
Colour Code : Laminate : 10858



**Libra**  
Colour Code : Laminate : 10012



**Orbit**  
Colour Code : Laminate : 10858



**Zap**  
Colour Code : Laminate : 10012



**Concord**  
Colour Code : Laminate : 10544

# Centre Table Collection



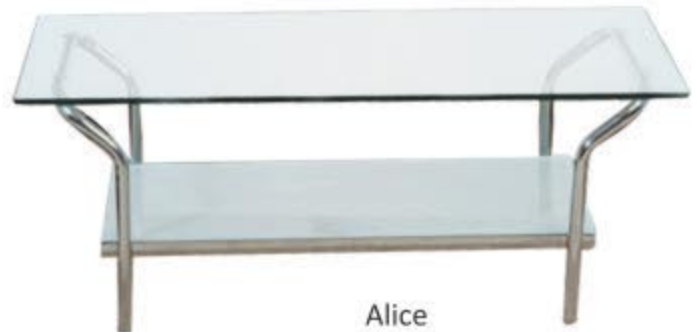
Legend



Lexia



Emerald



Alice



Cliff 1200 x 600 x 450



Cliff 600 x 600 x 450



Mega 1200 x 600 x 450



Mega 600 x 600 x 450

Adaptive Collection



# Adaptive Collection



Adaptive- 1



Adaptive- 2



Adaptive- 3



Adaptive- 4



Adaptive- 5



Adaptive- 6



Adaptive- 7



Adaptive- 8



Adaptive- 9



Adaptive- 10



Adaptive- 11



Adaptive- 12



Adaptive- 13



Adaptive- 14



Adaptive- 15



Adaptive- 16



Adaptive- 17



Adaptive- 18



Adaptive- 19

The cafe seating has been uniquely designed  
for maximum comfort and durability.  
The vibrant color schemes add elegance and  
panache to any number of decorating styles.







GC- 9065 (Chair only)  
Colour Code : LY-103 Ash Gray



GC- 9066  
Colour Code : LY-103 Ash Gray



GC- 9067



GC- 9068  
Colour Code : LY-104 Utopia





GC- 9069



GC- 9070



GC- 9071



GC- 9056



GC- 9057  
Colour Code:GKN-03 ( Black)



GC- 9058  
Colour Code:GKN-03



GC- 9059  
Colour Code:NASA-01



GC- 9060  
Colour Code:GKN-03



GC- 9061



GC- 9062  
Colour Code : Laminate : 11192



GC- 9063  
Colour Code : Laminate : 11192



GC- 9064  
Colour Code : Laminate : 11192



GC- 9002



GC- 9003  
Colour Code:GE-07



GC- 9004



GC- 9006  
Colour Code : Seat- GKN-03  
Powder Coating : Wood Brown/Black



GC- 9007 (Table Only)  
Colour Code : Laminate : 10002 (Top)



GC- 9012  
Colour Code : Laminate : WP 127 (Top)  
SS Frame



GC- 9014  
Colour Code : Laminate : 10002 (Top)  
Powder Coating : Black



GC- 9016  
(Fixed chair)  
Colour Code : Fabric : Red Chenille Cloth



GC- 9020  
Colour Code : GKN-011



GC- 9023  
Colour Code : CLASSIC-014



GC- 9024

Available in colors



GC- 9025

Available in colors



Available in colors



GC- 9026



Available colors



GC- 9027



GC- 9030  
Colour Code : Laminate : 11005



GC- 9031  
Colour Code : Laminate : 22091



GC- 9032  
Colour Code : Laminate : 10175



GC- 9040



GC- 9037

GC- 9038

GC- 9039

Appearance is simple, without any fancy adornment to any interiors, it creates a different kind of interest and give a person ultimate comfort.



GC- 9042



GC- 9044



GC- 9053



GC- 903 A  
Colour Code : GKN-06



GC- 904



GC- 905



GC- 911



GC- 919



GC- 928



GC- 936  
Colour Code : GKN-07



GC- 938  
Colour Code : GKN-014



GC- 940  
Colour Code : Rubber Wood (Top)



GC- 941  
Colour Code : Rubber Wood (Top)



GC- 942



GC- 943





GC- 944  
Colour Code : GKN-03



GC- 947  
Colour Code : Laminate : 10002



GC- 948  
Colour Code : Laminate : 10002



GC- 949  
Colour Code : Seat-GKN03  
& Back-GKN-013



GC- 950  
Colour Code : GKN-03



GC- 951  
Colour Code : GKN-03



GC- 955  
Colour Code : GKN-01



GC- 956 (Table Only)



GC- 970  
Colour Code : GKN-09



GC- 975



GC- 976  
Colour Code : GKN-016



GC- 984  
Colour Code : GKN-202



GC- 985  
Colour Code : 10002



GC- 985 (SS Frame)  
Colour Code : 10002



GC- 988



GC- 989  
Colour Code : Molfino-210



GC- 991  
Colour Code : GKN-011



GC- 994



Institutional Collection

 **Geeken**  
Furniture  
Better Furniture, Better Life!





GC- 825  
Colour Code : GKN-202

**Note :** We would need a minimum order quantity of 400 pcs. each for different colors other than grey for model No. GST -827



GST- 828  
Colour Code : GKN-203 Black



This chair can be tilted backwards upto 45°

## Freedom of movement



Can be tilted backwards to give the user maximum comfort



**GST- 829**  
Colour Code : Seat- GKN-307  
Back-GKN-308 Black Net



GST- 830  
Colour Code: Powder Coating : Moon Gray



GST- 831



# Institutional Collection



Making the perfect environment for the classroom







**GST- 801**  
Colour Code : Seat- GKN-201



**GST- 807**  
Colour Code : GKN-202



**GST- 808**  
Colour Code : GKN-03



**GST- 812**  
Colour Code:  
Powder Coating : Oxford Blue



**GST- 814**  
Colour Code :  
Powder Coating : Oxford Blue



**GST- 818**  
Colour Code :  
Powder Coating : Oxford Blue



**GST- 820**  
Colour Code:GKN-203  
Black



**GST- 821**  
Colour Code :  
Powder Coating : Oxford Blue



**GST- 823**



**GST- 827**  
Colour Code :  
Powder Coating : Oxford Blue



Durable, flexible  
and space saver

**Task- 1**  
Colour Code : Seat & Back GKN-307  
Laminate : 10848



**Task- 2**  
Colour Code : Laminate : 10002 (Top)  
Seat & Back - Veneer Polish  
Powder Coating : Black



**Task- 3**  
Colour Code : Laminate : 10002 (Top)  
Seat - Veneer Polish  
Powder Coating : Black



**Task- 4**  
Colour Code : Laminate : 10544 & 22091



**Task- 5**  
Colour Code :  
Laminate : 10002  
Powder Coating : White



**Task- 7**  
Colour Code : Seat & Back : GKN-03  
Laminate : 10544  
Powder Coating : Ivory



**Task- 9**  
Colour Code:  
Laminate : 10544  
Powder Coating : White



# Institutional Collection



**Student- 1**  
Colour Code : Laminate : 10848  
Powder Coating : Silver Gray

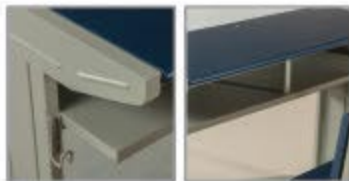


**Student- 2**  
Colour Code :  
Laminate : 10848  
Powder Coating : C.G Ivory

Perfectly engineered for maximum comfort and safety



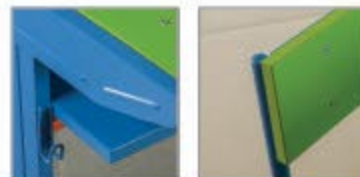
**Student- 4**  
Colour Code :  
Laminate : 21022  
Powder Coating : Bone Gray



**Student- 5**  
Colour Code :  
Laminate : 10002  
Powder Coating : Brown



**Student- 7**  
Colour Code :  
Laminate : 21143  
Powder Coating : Kangaroo Blue/Orange





**Student- 10**  
Colour Code:  
Laminate : 21028  
Powder Coating : Kangaroo Blue  
Knock Down

This linear design combines a clean, architectural aesthetic, future ready with durable materials intended to withstand the wear and tear of long hours of use .The table is completely knock down design, which makes a easy to transport from one place to another and also saves lot of space.



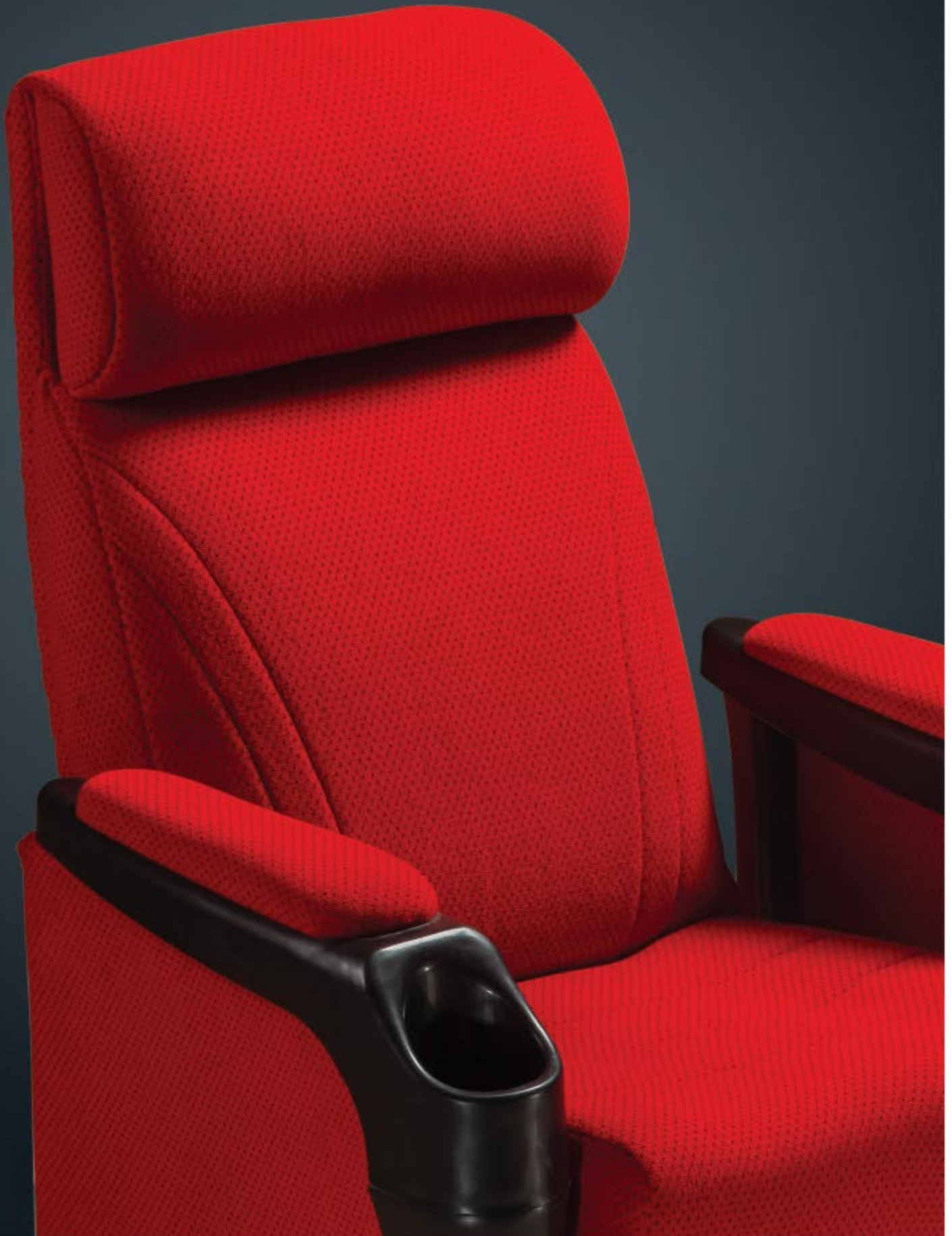
The compact packaging



213-214

Auditorium Collection

 **Geeken**  
Furniture  
Better Furniture, Better Life!





Audi- 1



Audi- 2



Audi- 5





Audi-6



Audi-7







Audi- 8

Enjoy the pleasure of comfort and convenience



Audi- 9



Audi- 10



Audi- 11



Audi- 12



Audi- 13  
Colour Code:GKN-202  
Black



Hostel- 6  
Colour Code :  
Powder Coating : White

# Hostel Collection



Hostel- 1  
Colour Code :  
Powder Coating : Ivory



Hostel- 2  
Colour Code :  
Powder Coating : Black



Hostel- 4  
Colour Code :  
Powder Coating : Black



Hostel- 7  
Colour Code : Laminate : 10002  
Powder Coating : Moon Gray



Hostel- 8  
Colour Code : Laminate : 10544  
Powder Coating : Moon Gray



Hostel- 9  
Colour Code : Laminate : 10544  
Powder Coating : Bone Gray



Hostel- 10  
Colour Code : Laminate : 10091  
Powder Coating : Black

**Steel  
Storage**

**Ease and comfort of  
keeping your files is here**





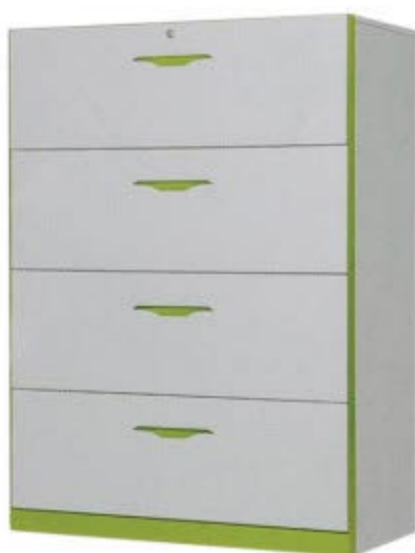
**GMS- 1**  
Vertical Filing Cabinet  
(4 Drawer)  
W 470 X D 620 X H 1320 mm  
Thickness 0.8 mm  
Colour Code : Powder Coating :  
Tex off White/Kangaroo Green



**GMS- 2**  
Vertical Filing Cabinet  
(3 Drawer)  
W 470 X D 620 X H 1040 mm  
Thickness 0.8 mm  
Colour Code : Powder Coating :  
Tex off White/Kangaroo Green



**GMS- 3**  
Vertical Filing Cabinet  
(2 Drawer)  
W 470 X D 620 X H 710 mm  
Thickness 0.8 mm  
Colour Code : Powder Coating :  
Tex off White/Kangaroo Green



**GMS- 7**  
Lateral Filing Cabinet  
(4 Drawer)  
W 900 X D 450 X H 1325 mm  
Thickness 0.8 mm  
Colour Code : Powder Coating :  
Tex off White/Kangaroo Green



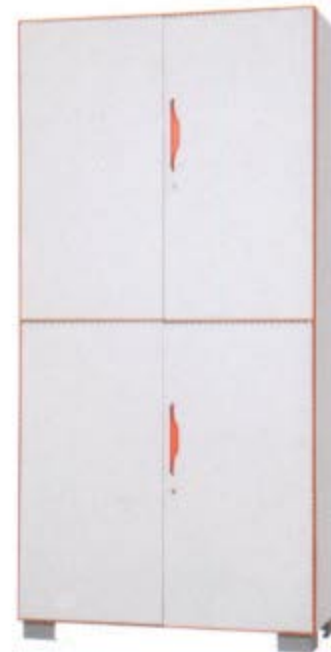
**GMS- 8**  
Lateral Filing Cabinet  
(3 Drawer)  
W 900 X D 450 X H 1040 mm  
Thickness 0.8 mm  
Colour Code : Powder Coating :  
Tex off White/Kangaroo Green



**GMS- 9**  
Lateral Filing Cabinet  
(2 Drawer)  
W 900 X D 450 X H 715 mm  
Thickness 0.8 mm  
Colour Code : Powder Coating :  
Tex off White/Kangaroo Green



**GMS- 10**  
Steel Almirah (2 Doors)  
(4 Adjustable Shelves)  
W 900 x D 450 x H 1830 mm  
Thickness 0.8 mm  
Colour Code : Powder Coating :  
Tex off White/Kangaroo Green



**GMS- 11**  
Steel Almirah (4 Doors)  
(Adjustable Shelves)  
W 900 x D 450 x H 1830 mm  
Thickness 0.8 mm  
Colour Code : Powder Coating :  
Tex RLt White/Orange



**GMS- 12**  
Steel Almirah (2 Glass & 2 Steel Doors)  
(Adjustable Shelves)  
W 900 x D 450 x H 1830 mm  
Thickness 0.8 mm  
Colour Code : Powder Coating :  
Tex RLt White/Orange



**GMS- 13**  
Steel Almirah (2 Glass & 2 Steel Doors, 2 Drawer)  
(Adjustable Shelves)  
W 900 x D 450 x H 1830 mm  
Thickness 0.8 mm  
Colour Code : Powder Coating :  
Tex off White/Kangaroo Green

# Steel Storage Collection



**GMS- 21**  
**Steel Personal Locker (6 Doors)**  
W 900 x D 450 x H 1830 mm  
Thickness 0.8 mm  
Colour Code : Powder Coating :  
Tex off White/Kangaroo Green



**GMS- 22**  
**Steel Personal Locker (4 Doors)**  
W 900 x D 450 x H 1830 mm  
Thickness 0.8 mm  
Colour Code : Powder Coating :  
Tex off White/Kangaroo Green





# Steel Storage Collection



**GMS- 23**  
**Mobile Pedestal**  
 (2 Drawer, 1 Filing)  
 W 400 x D 560 x H 560 mm  
 Thickness 0.8 mm  
 Colour Code : Powder Coating :  
 Tex Rlt White/Orange



**GMS- 24**  
**Fix Pedestal**  
 (2 Drawer, 1 Filing)  
 W 390 x D 590 x H 645 mm  
 Thickness 0.8 mm  
 Colour Code : Powder Coating :  
 Tex off White/Kangaroo Green



**GMS- 25**  
**Steel Almirah (2 Doors)**  
 (4 Adjustable Shelves)  
 W 915 x D 485 x H 1980 mm  
 Thickness 0.8 mm  
 Colour Code : Powder Coating :  
 Tex Dark Cream/Wood Brown



**GMS- 26**  
**Steel Almirah (2 Doors)**  
 (2 Adjustable Shelves)  
 W 915 x D 485 x H 1200 mm  
 W 760 x D 430 x H 1270 mm  
 Thickness 0.8 mm  
 Colour Code : Powder Coating :  
 Tex Dark Cream



**GMS- 27**  
**Steel Personal Locker**  
 W 1900 x D 450 x H 1800 mm  
 Thickness 0.8 mm  
 Colour Code : Powder Coating :  
 Tex Phill Gray



**GMS- 28**  
**Filing Cabinet**  
 (2 & 3 Drawer)  
 2 Drawer - W 660 x D 450 x H 760 mm  
 3 Drawer - W 660 x D 450 x H 1060 mm  
 Thickness 0.8 mm  
 Colour Code : Powder Coating :  
 Tex Dark Cream/Wood Brown



**GMS- 29**  
Steel Almirah (2 Doors)  
(1 Adjustable Shelf)  
Thickness 0.8mm  
W 900 X D 450 X H 750 mm  
Colour Code : Powder Coating :  
Ral 7035/Ivory



**GMS- 30**  
Lateral Filing Cabinet (3 Drawers)  
Thickness 0.8mm  
W 900 X D 450 X H 900 mm  
Colour Code : Powder Coating :  
Tex Phill Gray



**GMS- 31**  
Steel Mobile Pedestal  
(2 Drawers, Wooden Facia)  
Cushion Seat  
Thickness 0.8mm  
W 400 X D 450 X H 600 mm  
Colour Code : Laminate : 10091  
Powder Coating : Tex Phill Gray



**GMS- 33**  
Steel Mobile Pedestal  
(2 Drawers, 1 Filing)  
Thickness 0.8mm  
W 390 X D 435 X H 675 mm  
Colour Code : Powder Coating :  
Tex RLT White

Steel Storage Collection





**GMS- 14**  
Steel Almirah (2 Doors)  
(4 Adjustable Shelves)  
W 915 x D 485 x H 1980 mm  
Thickness 0.8 mm  
Colour Code : Powder Coating :  
Tex Phill Gray



**GMS- 15**  
Steel Almirah (2 Doors)  
(2 Adjustable Shelves)  
W 900 x D 450 x H 930 mm  
Thickness 0.8 mm  
Colour Code : Powder Coating :  
Tex Phill Gray



**GMS- 16**  
Steel Almirah (2 Doors)  
(1 Adjustable Shelves)  
W 900 x D 450 x H 730 mm  
Thickness 0.8 mm  
Colour Code : Powder Coating :  
Tex Phill Gray





**GMS- 17**  
Steel Library rack (Double Face)  
W 940 x D 600 x H 2110 mm  
Thickness 0.8 mm  
Colour Code : Laminate : 10012  
Powder Coating : Tex Off White



**GMS- 18**  
Steel Library rack (Single Face)  
W 925 x D 300 x H 1800 mm  
Thickness 0.8 mm  
Colour Code : Laminate : 10012  
Powder Coating : Tex Silver



**GMS- 19**  
Metal Book Case (4 Doors)  
W 915 x D 320 x H 1750 mm  
Thickness 0.8 mm  
Colour Code :  
Powder Coating : Brown/C.G Ivory



**GMS- 20**  
Steel Slotted Angle rack  
W 900 x D 300 x H 1800 mm  
W 900 x D 450 x H 1800 mm  
W 900 x D 600 x H 1800 mm  
Colour Code :  
Powder Coating : Tex Phill Gray

# Steel Storage Collection



**GMS- 41**  
Steel Almirah (2 Doors)  
(4 Adjustable Shelves)  
Thickness 0.8mm  
W 915 X D 485 X H 1980 mm  
Colour Code :  
Powder Coating : Tex Phill Gray



**GMS- 42**  
Steel Almirah (2 Glass Sliding Doors)  
(2 Adjustable Shelves)  
(2 Swing Doors)  
(2 Adjustable Shelves)  
Thickness 0.8mm  
W 915 X D 455 X H 1850 mm  
Colour Code :  
Powder Coating : Tex Silver



**GMS- 43**  
Steel Almirah (2 Glass Doors)  
(4 Adjustable Shelves)  
Thickness 0.8mm  
W 915 X D 485 X H 1980 mm  
Colour Code :  
Powder Coating : Tex Phill Gray





**GMS- 44**  
Steel Almirah (2 Doors)  
(2 Adjustable Shelves)  
Thickness 0.8mm  
W 900 X D 400 X H 1125 mm  
Colour Code :  
Powder Coating : Tex RLT White/Orange



**GMS- 45**  
Steel Personal Locker  
(2 Separate Doors for Individual use)  
(1 Hanging Rod)  
(1 Adjustable Shelf, 1 fixed shelf)  
Thickness 0.8mm  
W 900 X D 500 X H 1870 mm  
Colour Code :  
Powder Coating : Tex RLT White/Blue



**GMS- 46**  
Steel Personal Locker  
(2 Separate Doors for Individual use)  
(1 Hanging Rod)  
(1 Adjustable Shelf, 1 fixed shelf)  
Thickness 0.8mm  
W 900 X D 500 X H 1870 mm  
Colour Code :  
Powder Coating : Brown/Satin white



# Steel Storage Collection



**GMS- 47**  
Vertical Filing Cabinet  
2 Drawer - W 440 X D 620 X H 710 mm  
3 Drawer - W 440 X D 620 X H 1000 mm  
4 Drawer - W 440 X D 620 X H 1310 mm  
Thickness 0.8mm  
Colour Code :  
Powder Coating : Black/Satin White



**GMS- 48**  
Steel Overhead Unit  
(2 Swing Doors)  
Thickness 0.8mm  
W 900 X D 400 X H 350 mm  
Colour Code :  
Powder Coating : Tex RLT White/Orange



**GMS- 49**  
Steel Mobile Pedestal  
(2 Drawers, 1 Filing)  
Thickness 0.8mm  
W 395 X D 550 X H 595 mm  
Colour Code :  
Powder Coating : Kangaroo Green/Satin white



**GMS- 50**  
Steel Mobile Pedestal  
(2 Drawers, 1 Filing)  
Thickness 0.8mm  
W 395 X D 550 X H 595 mm  
Colour Code :  
Powder Coating : Black/Satin White





**GMS- 51**  
Steel Personal Locker  
(2 Doors)  
(1 Hanging Rod)  
Thickness 0.8mm  
W 380 X D 450 X H 1800 mm  
Colour Code : Powder Coating :  
Satin Traffic White/Kangaroo Blue



**GMS- 52**  
Steel Personal Locker  
(4 Doors)  
Thickness 0.8mm  
W 380 X D 450 X H 1800 mm  
Colour Code : Powder Coating :  
Satin Traffic White/Wine Red



**GMS- 57**  
Steel Personal Locker  
(3 Doors)  
Thickness 0.8mm  
W 380 X D 450 X H 1800 mm  
Colour Code : Powder Coating :  
Satin Traffic White/Matt Pink



**GMS- 58**  
Steel Personal Locker (Digital Lock)  
(12 Doors)  
Thickness 0.8mm  
W 1100 X D 450 X H 1870 mm  
Colour Code : Powder Coating :  
Body - Tex DA Gray  
Door - Tex Munshell Gray  
Door - Tex Off White

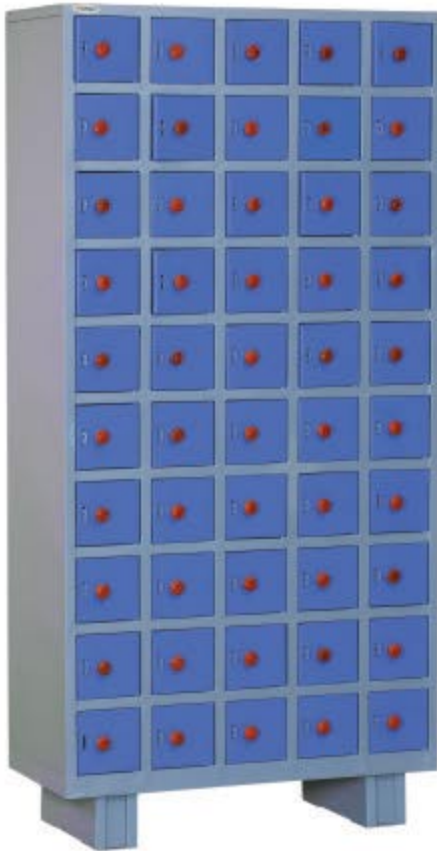


The complete solution for storage in the workplace, creating space to store personal & professional belongings securely.



**GMS- 59**  
Steel Personal Locker  
(15 Doors)  
Thickness 0.8mm  
W 900 X D 400 X H 1850 mm  
Colour Code : Powder Coating :  
Body - Tex Silver Gray  
Door - Kangaroo Blue

# Steel Storage Collection



**GMS- 60**  
Steel Mobile Locker  
(50 Doors)  
Thickness 0.8mm  
W 900 X D 400 X H 1850 mm  
Colour Code : Powder Coating :  
Body - Tex Silver Gray  
Door - Kangaroo Blue



**GMS- 61**  
Sliding Door Storage Unit  
Thickness 0.8mm  
W 900 X D 450 X H 980 mm  
Colour Code : Powder Coating :  
Satin Traffic White



**GMS- 62**  
Magazine Rack  
Thickness 0.8mm  
W 900 X D 450 X H 1850 mm  
Colour Code : Powder Coating :  
Satin Traffic White



Lab  
Furniture





**Lab- 1**  
(Island Unit)  
L 2500 x D 1500 x H 900



**Lab- 2**  
(Wall Side Unit)  
L 2500 x D 750 x H 900



**Lab- 3**  
Lab Table Single Side with Reagent Shelf & Sink  
Size : L 2480 x D 770 x H 900



**Lab- 4**  
Lab Table Single Side with Reagent Shelf & Sink  
Size : L 3680 x D 770 x H 900



**Lab- 5**  
Lab Table Single Side with Reagent Shelf & Sink  
Size : L 4880 x D 770 x H 900



**Lab- 6**  
Lab Table Double Side with Reagent Shelf & Sink  
Size : L 2480 x D 1540 x H 900



**Lab- 7**  
Lab Table Double Side with Reagent Shelf & Sink  
Size : L 3680 x D 1540 x H 900



**Lab- 8**  
Lab Table Double Side with Reagent Shelf & Sink  
Size : L 4880 x D 1540 x H 900



**Lab- 9**  
Lab Table Single Side with Electrical Trunking.  
Size : L 2480 x D 770 x H 900



**Lab- 10**  
Lab Table Single Side with Electrical Trunking.  
Size : L 3680 x D 770 x H 900

Note :In the products shown above, the Granite top will have joints.



**Lab- 11**  
Lab Table Single Side with Electrical Trunking.  
Size : L 4880 x D 770 x H 900



**Lab- 12**  
Lab Table Double Side with Electrical Trunking.  
Size : L 2480 x D 1540 x H 900



**Lab- 13**  
Lab Table Double Side with Electrical Trunking.  
Size : L 3680 x D 1540 x H 900



**Lab- 14**  
Lab Table Double Side with Electrical Trunking.  
Size : L 4880 x D 1540 x H 900

## Optimize the space

Mobile storage systems are three times more space efficient than conventional filing and shelving at half the cost.

When storage needs outgrow available space, the problem usually tackled with a move to larger premises, an expensive option. But there is an alternative, you can increase storage efficiently with a mobile shelving system, that :

- A. Saves Money
- B. Boost Efficiency
- C. Improves your Working Environment



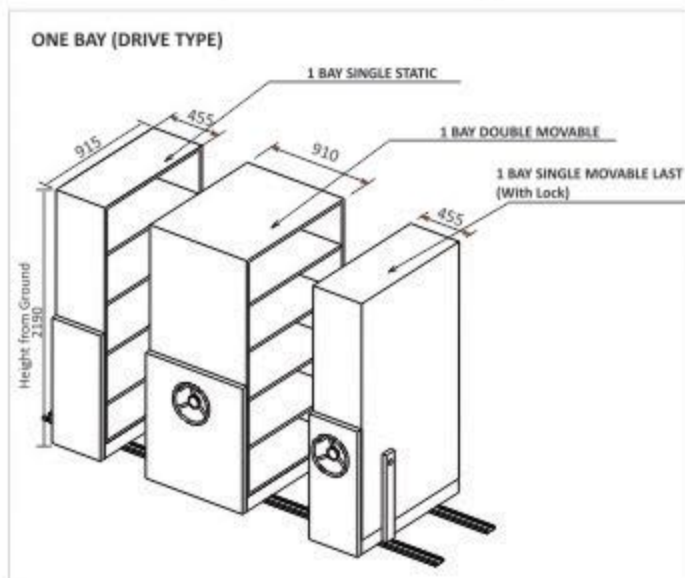
## Cache Series





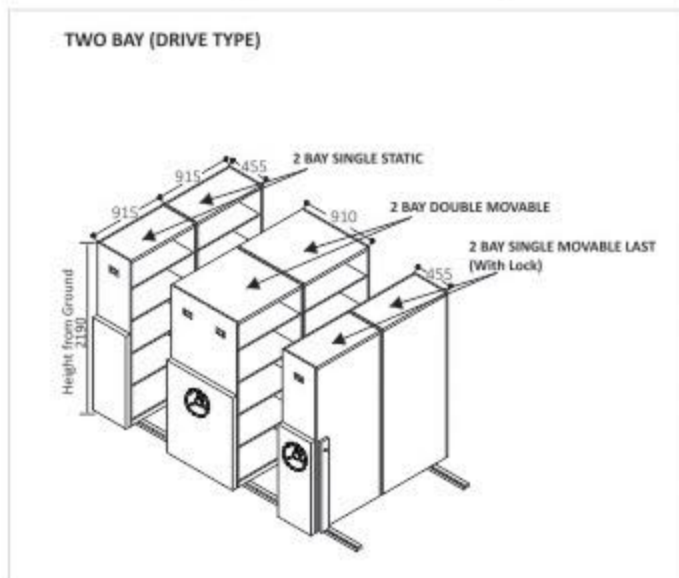
## Cache Series

### ONE BAY (DRIVE TYPE)



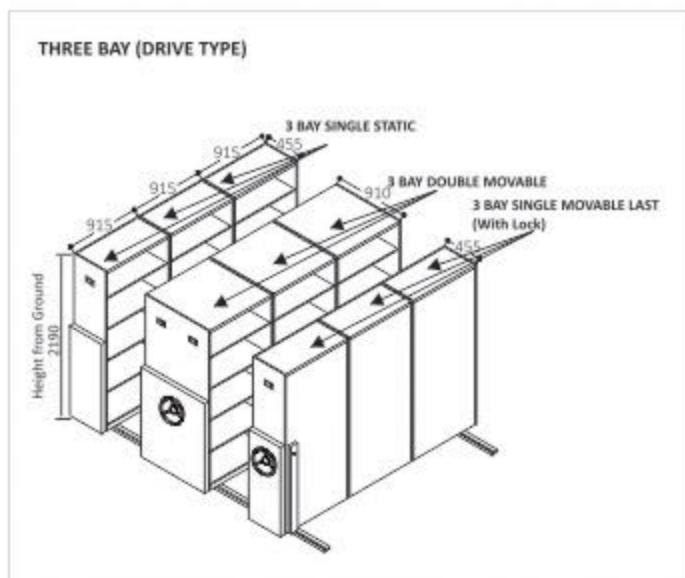
Cache- 1

### TWO BAY (DRIVE TYPE)



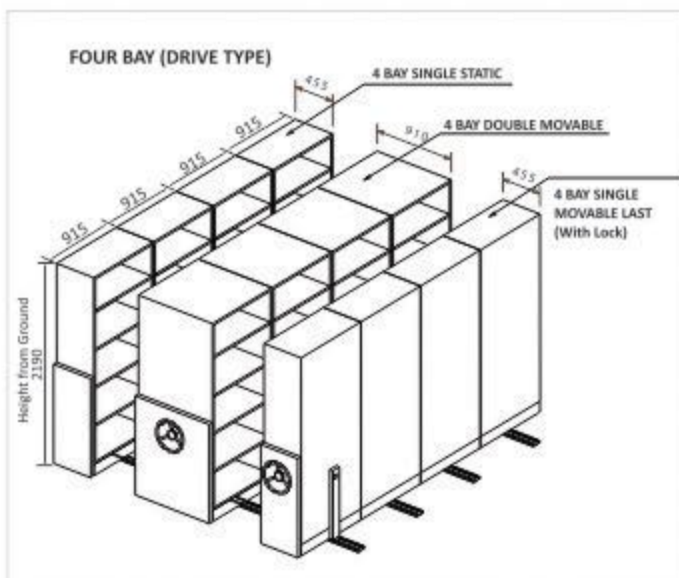
Cache- 2

### THREE BAY (DRIVE TYPE)



Cache- 3

### FOUR BAY (DRIVE TYPE)



Cache- 4

# Compactor Collection



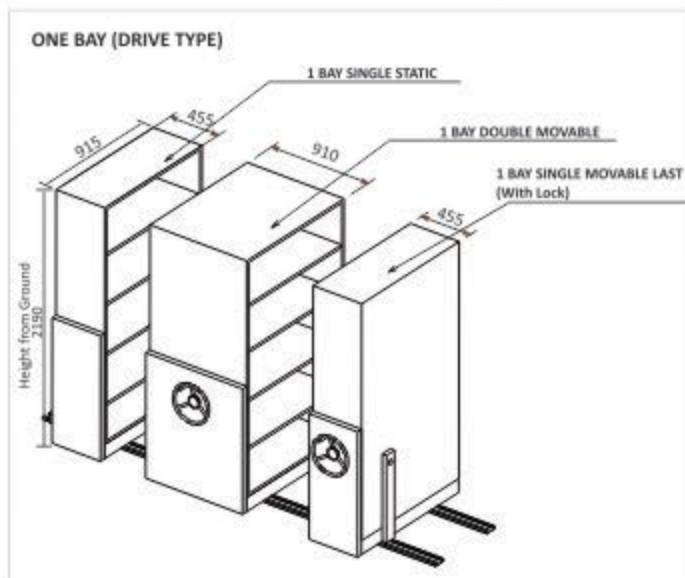
## Cache Series



Colour Code:  
22099 & 22091

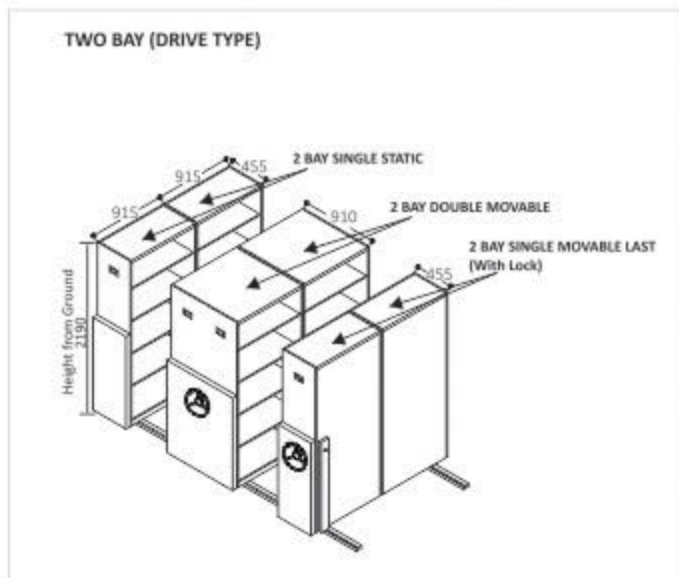
## Cache Series

### ONE BAY (DRIVE TYPE)



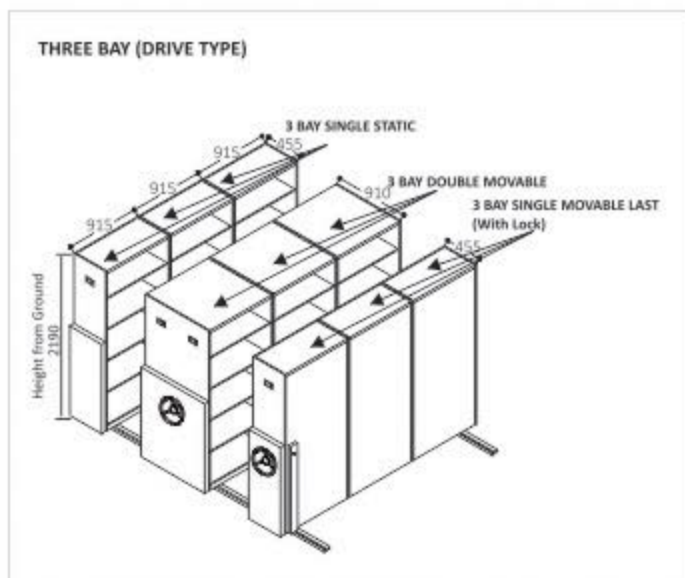
Cache- 5

### TWO BAY (DRIVE TYPE)



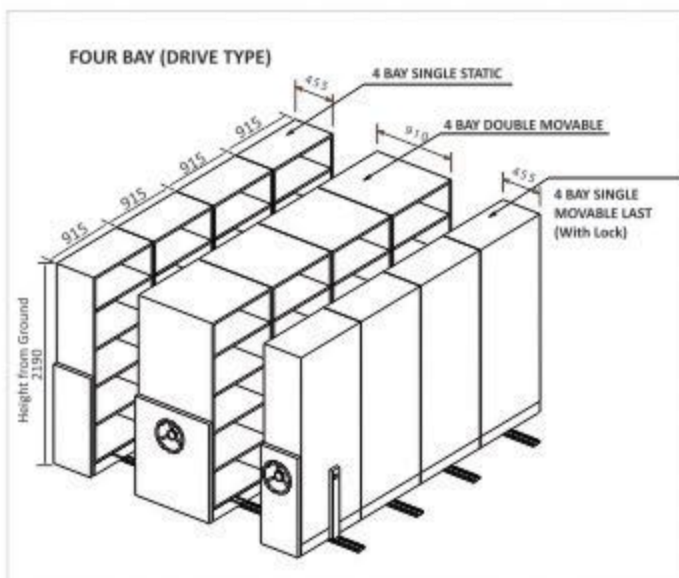
Cache-6

### THREE BAY (DRIVE TYPE)



Cache- 7

### FOUR BAY (DRIVE TYPE)



Cache- 8

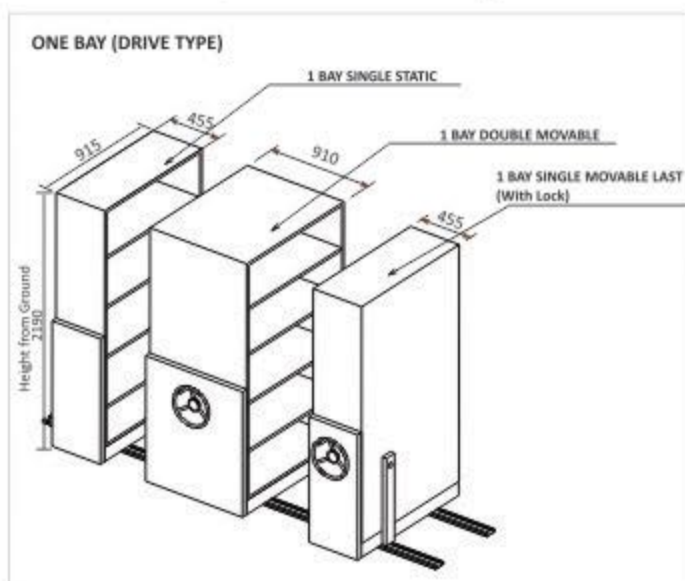
Cache Series

The system can be opened by rotating ergonomically designed handles. Ideal for medium-sized storage systems with higher activity levels, heavier load factors, greater carriage lengths and a larger number of system ranges.



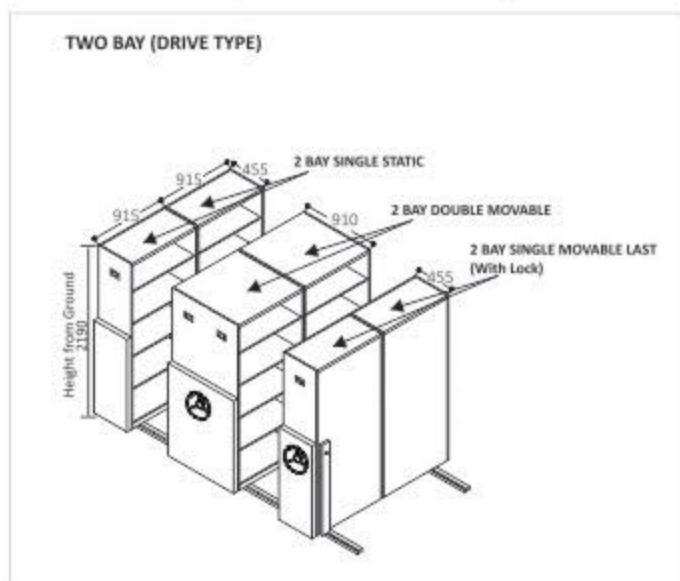
## Cache Series

### ONE BAY (DRIVE TYPE)



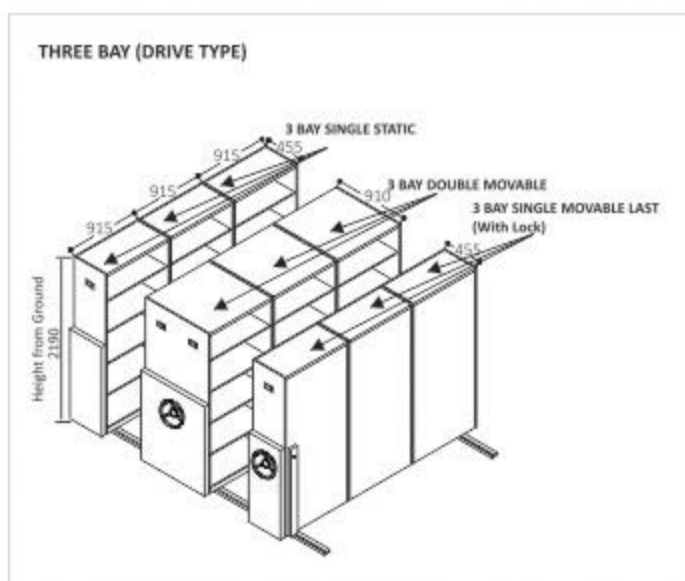
Cache- 9

### TWO BAY (DRIVE TYPE)



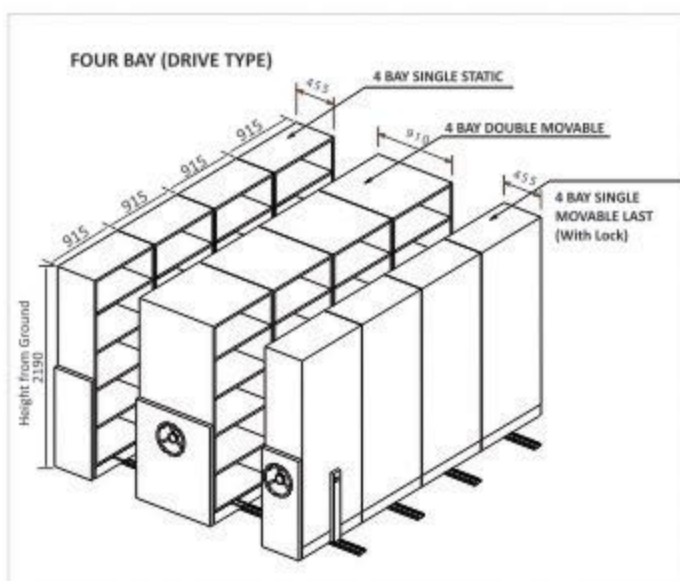
Cache-10

### THREE BAY (DRIVE TYPE)



Cache- 11

### FOUR BAY (DRIVE TYPE)



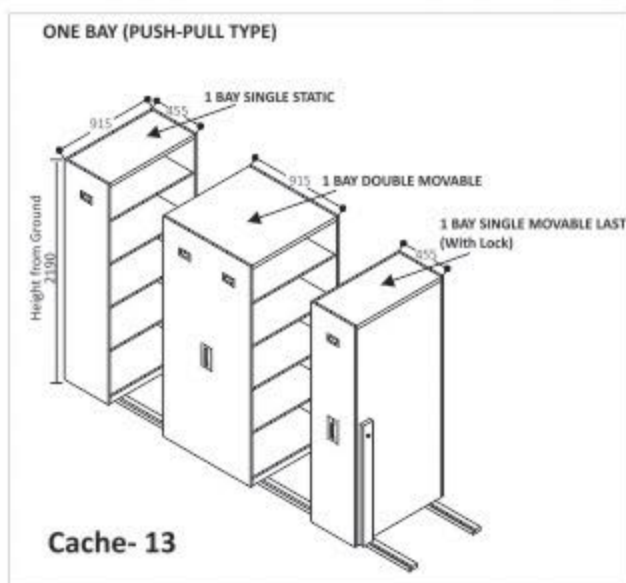
Cache- 12

## Push Pull Type Compactors

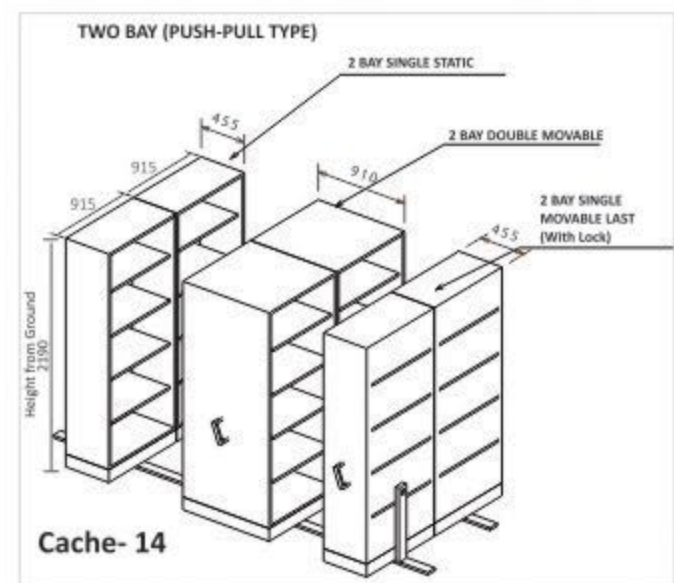


The system can be opened by pushing handles left or right. Ideal for smaller, low activity, limited-access storage areas.

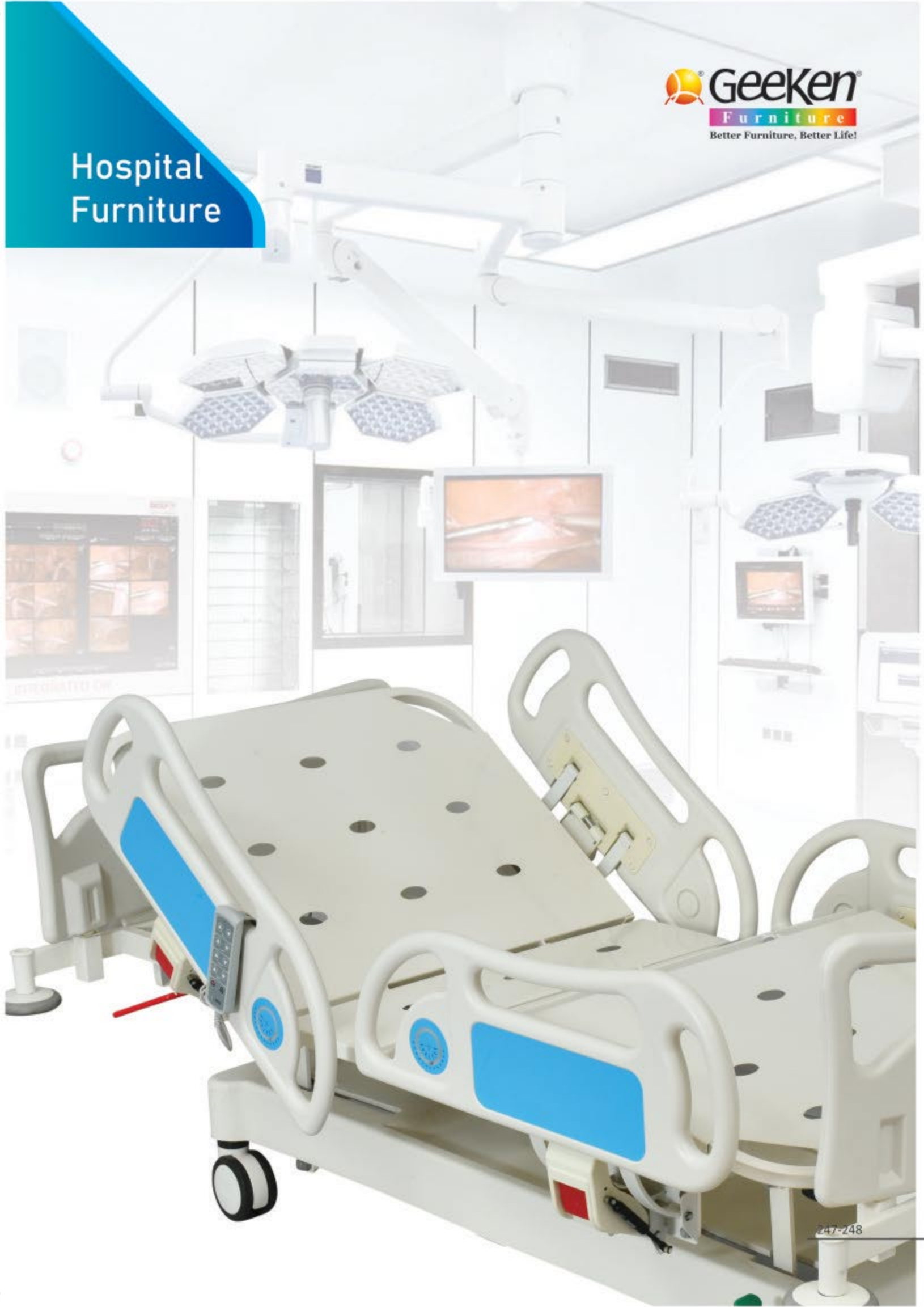
### ONE BAY (PUSH PULL TYPE)



### TWO BAY (PUSH PULL TYPE)



Hospital  
Furniture



# Hospital Furniture

Collection

**Geeken**  
Furniture  
Better Furniture, Better Life!



**REVIVE PRO**  
MOTORISED ICU BED WITH CPR



**REVIVE VITAL**  
MOTORISED ICU BED WITH 4 FUNCTION



**REVIVE STANDARD**  
SEMI-MOTORISED ICU BED



**CURE VITAL**  
MOTORISED FOWLER BED



**CURE ACTIVE**  
SEMI-MOTORISED FOWLER BED  
(ONLY BACK REST MOVEMENT, ELECTRICALLY OPERATED)



**CURE FOWLER**  
MOTORISED FOWLER BED



# Hospital Furniture

Collection

**Geeken**  
Furniture  
Better Furniture, Better Life!



**GK- 1000**  
MANUAL ICU BED



**GK- 1011**  
PEDIATRIC SEMI FOWLER BED WITH WHEELS



**GK 1003**  
FOWLER BED POLYMER PANELS



**GK 1004**  
FOWLER BED S.S PANELS



**GK 1005**  
SEMI-FOWLER BED POLYMER PANELS



**GK 1006**  
SEMI-FOWLER BED S.S PANELS

# Hospital Furniture

Collection

 **GeekEn**  
Furniture  
Better Furniture, Better Life!



**GK 1007**  
BASIC STEEL BED



**GK 1008**  
PEDIATRIC GENERAL BED



**GK 1009**  
PLAIN BED WITH MATTRESS



**GK 1010**  
BABY CRIB



**GK 7000**  
MOTORISED EXAMINATION COUCH



**GK 7002**  
EXAMINATION COUCH DELUXE



**GK 7003**  
EXAMINATION COUCH



**GK 7004**  
GYNAE EXAMINATION TABLE DLX. S.S



**GK 7005**  
GYNAE EXAMINATION TABLE DLX. M.S



**GK 7006**  
GYNAE EXAMINATION TABLE BASIC



**GK 7007**  
HOSPITAL EXAMINATION TABLE



**GK 8000**  
EMERGENCY & RECOVERY TROLLEY

# Hospital Furniture

Collection

 **Geeken**  
Furniture  
Better Furniture, Better Life!



**GK 8001**  
S.S STRETCHER DELUXE



**GK 8002**  
M.S. STRETCHER DELUXE



**GK 8003**  
S.S STRETCHER TROLLEY BASIC



**GK 8004**  
S.S TOP STRETCHER TROLLEY BASIC



**GK 8005**  
M.S STRETCHER TROLLEY BASIC



**GK 8006**  
WHEEL CHAIR FIXED



**GK 5000**  
LABOUR TABLE SS



**GK 5001**  
LABOUR TABLE SS TOP

# Hospital Furniture

Collection



**GK 3000**  
CRASH CART SS



**GK 3001**  
OT DRUG TROLLEY



**GK 3002**  
MEDICINE TROLLEY SS



**GK 3003**  
ECG TROLLEY



**GK 3004**  
SUCTION MACHINE TROLLEY



**GK 3005**  
INSTRUMENT TROLLEY



**GK 3007**  
DRESSING TROLLEY



**GK 3009**  
MAYO TROLLEY SS



**GK 3011**  
MONITOR TROLLEY SS



**GK 3012**  
MONITOR TROLLEY MS



**GK 4012**  
BASIN STAND SINGLE



**GK 4013**  
KICK BUCKET



**GK 4014**  
THREE FOLD SCREEN MS



**GK 4015**  
FOUR FOLD SCREEN MS



**GK 2000**  
BED SIDE LOCKER  
MEMBRANE TOP



**GK 2001**  
BED SIDE LOCKER SS TOP

# Hospital Furniture

Collection



**GK 2002**  
BED SIDE LOCKER GENERAL



**GK 2004**  
OVER BED TABLE SS  
WITH MEMBRANE TOP



**GK 2005**  
OVER BED TABLE MS  
WITH MEMBRANE TOP



**GK 2006**  
OVER BED TABLE MS BASIC  
WITH MEMBRANE TOP



**GK 4000**  
REVOLVING STOOL  
CUSHIONED TOP



**GK 4002**  
REVOLVING STOOL  
SS TOP



**GK 4004**  
BED SIDE STOOL



**GK 4005**  
DOUBLE FOOT STEP SS



**GK 4006**  
DOUBLE FOOT STEP MS



**GK 4007**  
SINGLE FOOT STEP SS



**GK 4008**  
SINGLE FOOT STEP MS



**GK 4009**  
SALINE STAND SS BASE  
AND SS ROD



**GK 4010**  
SALINE STAND NYLON  
BASE AND SS ROD



**GK 4011**  
OXYGEN CYLINDER  
TROLLEY MS



**GK 6009**  
SOILED LINEN TROLLEY SS

A series of horizontal dotted lines for writing notes.



Plant & Corporate Office:

## Geeken Seating Collection Pvt. Ltd.

IMT Manesar, Gurugram-122 050 (Haryana)

Email : [contactus@geeken.co.in](mailto:contactus@geeken.co.in)

Web : [www.geeken.in](http://www.geeken.in)

Follow us :



Authorised Distributor / Dealer



Also Available on GeM



Design & specifications are subject to change without prior notice.  
All rights reserved with Geeken. copying or reproduction of this catalogue  
in part or full or in any form is strictly prohibited and is punishable offense.